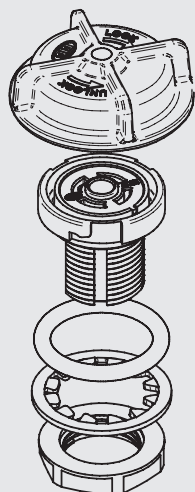


Electromechanical interface for outdoor luminaires according to Z Zhaga Book 18 to accommodate communication and sensor units

Receptacle: 47.121 for standardised cut-out
4 pole

Application:
Street and area lighting (parking areas and footpaths)
outdoor lighting
wall lights

- IP-compliant connector and cap
- Compact design for flexible mounting position in luminaire housing
- Approved and certified according to VDE DIN EN 61984



Sealing cap

Receptacle

O-Seal

Lock washer

Locknut

Modular system

Sealing cap: 47.121.-303.80
Material: PBT
pkg: 200 pieces

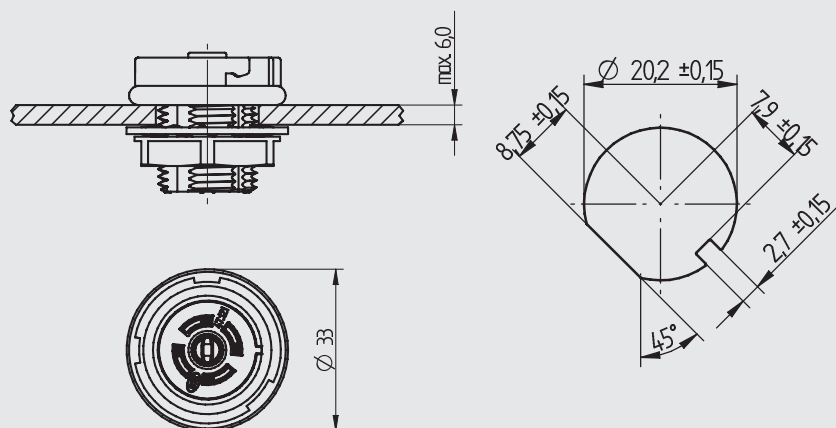
Receptacle: 47.121.U301.80
4 pole
Contacts: CuSn
Housing: PBT / PC
pkg: 200 pieces

O-Seal: 47.121.-703.80
Material: EPDM
pkg: 200 pieces

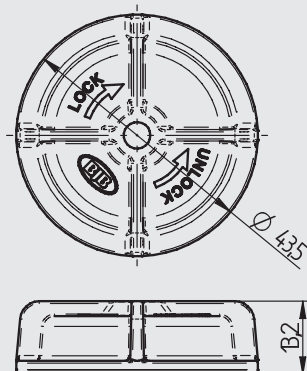
Lock washer M20: 47.121.-702.14
Material: steel zinc plated
pkg: 200 pieces

Locknut M20x1.5 mm: 47.121.-305.80
Material: PA
pkg: 200 pieces

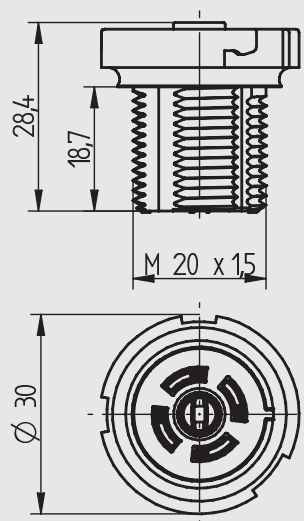
Assembly dimensions and cut-out



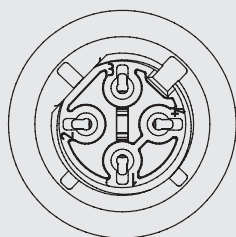
Temperature data	
Temperature range	-40 °C up to 100°C
Mechanical data	
Protection class	IP 66
Thread	M20 x 1.5 mm
Thread length	18.5 mm
IK-Impact strength grade	IK09
Height above luminaire	10 mm
Luminaire housing thickness	max. 6 mm
Tightening torque of the locknut	2.5 Nm
Electrical data	
Rated current	2 A
Rated voltage	24 V DC
Flexible tinned wire	0.5 - 1.5 mm ²
Solid wire	0.5 - 1.5 mm ²
Strip length	8 mm ^{+1mm}
Insulation diameter	max. 3 mm
Lead	16 - 20 AWG



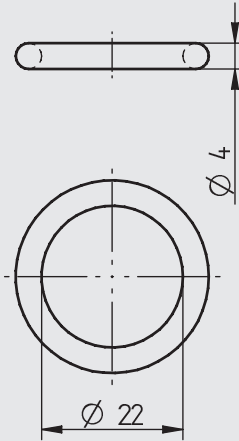
Sealing cap: 47.121.-303.80
 Material: PBT
 pkg: 200 pieces



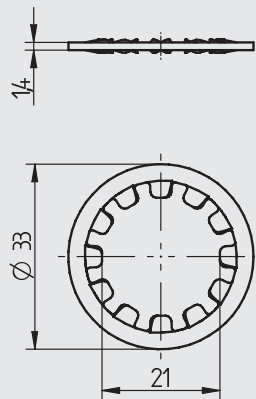
Receptacle: 47.121.U301.80
 4 pole
 Contacts: CuSn
 Housing: PBT / PC
 pkg: 200 pieces



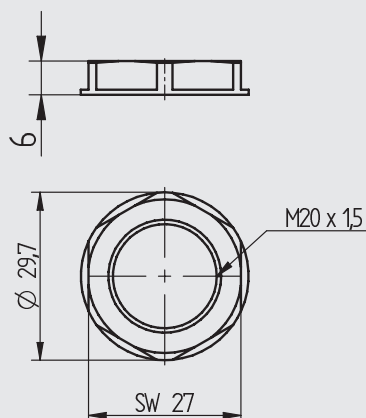
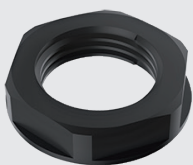
Marking wire entry	Function
1	+24 V Power supply
2	Negative pole for [DALI] protocol Ground for +24 V power supply (contact 1) Ground for General Digital I/O (contact 4)
3	Positive pole for [DALI] protokol
4	General Digital I/O (> 7V)



O-Seal: 47.121.-703.80
Material: EPDM
pkg: 200 pieces



Lock washer M20: 47.121.-702.14
Material: steel zinc plated
pkg: 200 pieces



Locknut M20x1.5 mm: 47.121.-305.80
Material: PA
pkg: 200 pieces