

Part no.  
**35.333.1012-0**

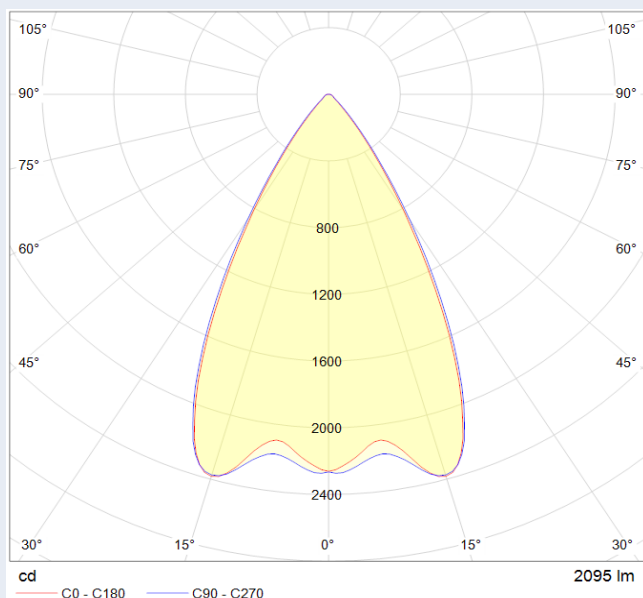
### OptiLine 3x11 Low Glare - Medium

- Uniform light distribution thanks to an optimized surface microstructure that reduces glare
- Designed for 3x11 LED modules according to Zhaga Book 7
- Compatible with 280 mm (1 ft) and 560 mm (2 ft) LED modules
- Groove-and-spring system enables seamless and precise optic assembly
- Mounting options:
  - With BJB P2F fixing element (Art. 28.905)
  - Or with M4 screws (1.2 Nm)
- One end cap fits both sides for efficient installation

Specification	
Height	10,05 mm
Width	61 mm
Length	284,25 mm
Screw fixing	M4 with 1,2 Nm
Type of fixing	P2F (28905) 10 N
For LED dimensions	2835, 3030
Material	PC
Colour	clear
Operating temperatur	max. 110°
IP protection class	IP40
Weight	80,7 g
Packaging	138

This product contains the following REACH SVHC substances.  
For further information please refer to [www.bjb.com](http://www.bjb.com).

CAS-Number	EG-Number	Substance name
3147-75-9	221-573-5	2-(2H-benzotriazol-2-yl)-4-(1,1,3,3-tetramethylbutyl)phenol

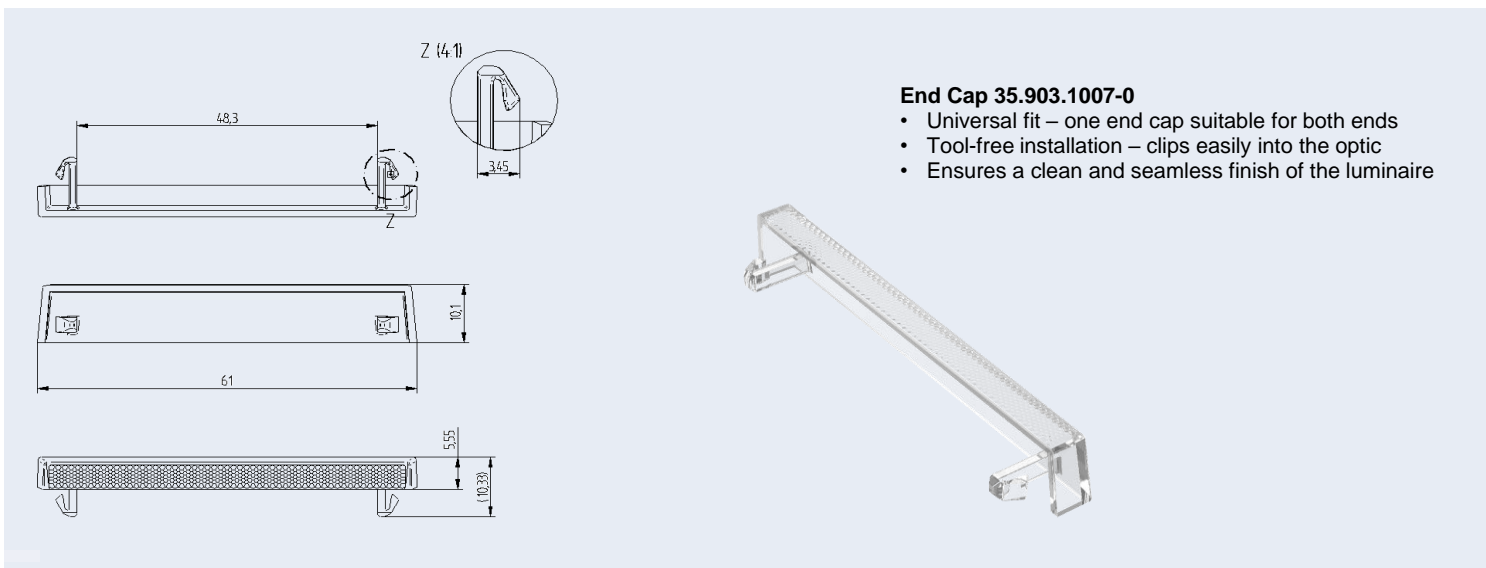


Photometric data	
Measured with LED Type	Samsung LM301B
Beam angle (FWHM)*	56° / 57°
UGR @ 800 lm, 1 ft (crosswise)*	≤ 13
Efficiency*	97%

\*Light distribution, beam angle and efficiency are dependent on the LED in use.

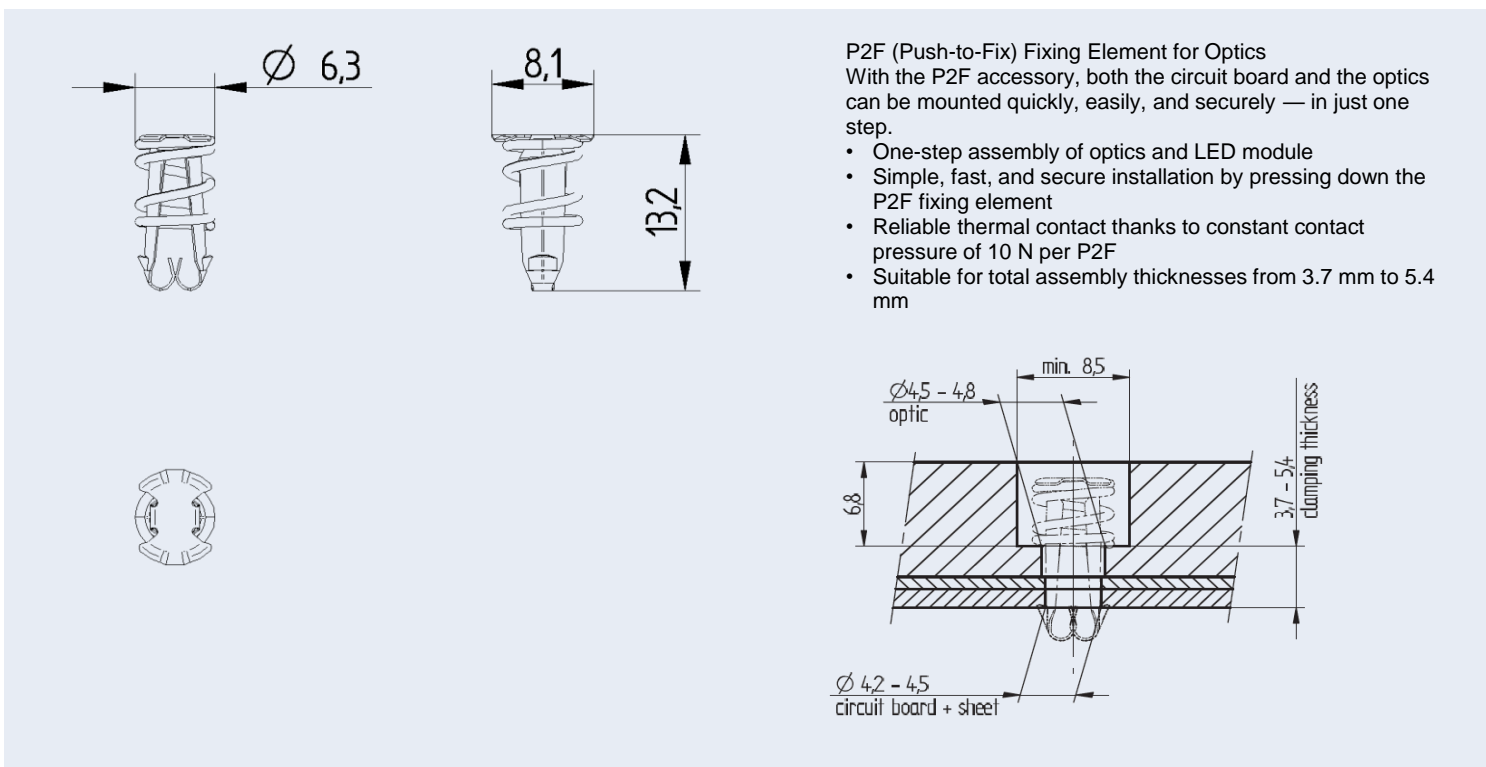
# OptiLine 3x11 Low Glare

3x11 Optics - End cap, P2F Fixing element for optics



### End Cap 35.903.1007-0

- Universal fit – one end cap suitable for both ends
- Tool-free installation – clips easily into the optic
- Ensures a clean and seamless finish of the luminaire



**P2F (Push-to-Fix) Fixing Element for Optics**  
 With the P2F accessory, both the circuit board and the optics can be mounted quickly, easily, and securely — in just one step.

- One-step assembly of optics and LED module
- Simple, fast, and secure installation by pressing down the P2F fixing element
- Reliable thermal contact thanks to constant contact pressure of 10 N per P2F
- Suitable for total assembly thicknesses from 3.7 mm to 5.4 mm

3x11 optics with pre-mounted P2F fixing element (28.905.U101-0) available for direct mounting.

