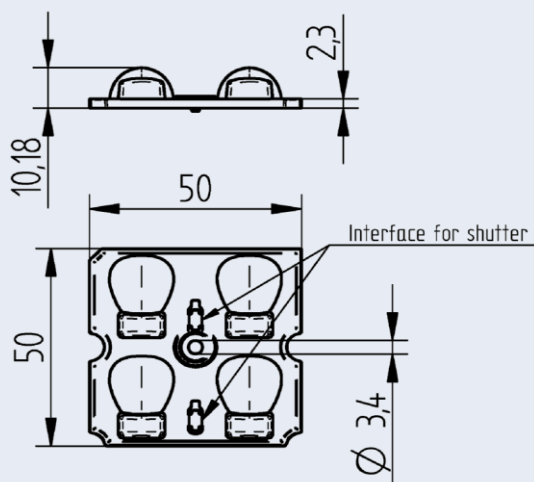


OptiSquare 2x2 - High-mast area lighting

35.104 · 2x2 · Optics for street and area lighting



technology for light



Part no.

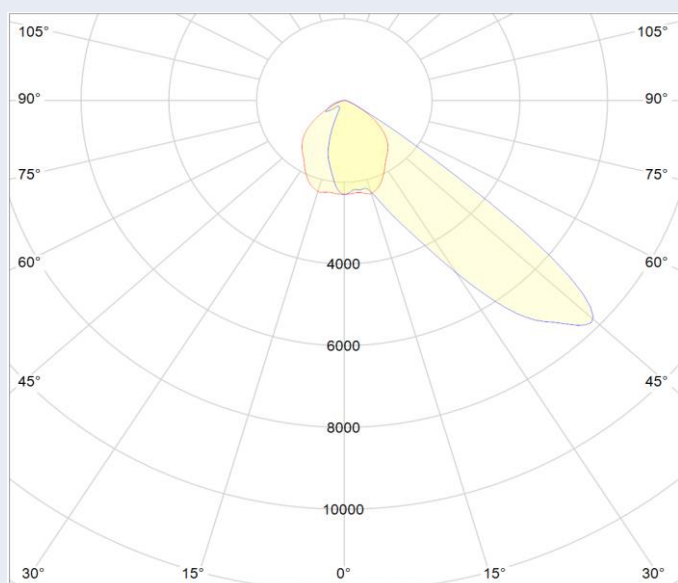
35.104.1018-0

OptiSquare 2x2 - High-mast area lighting, e.g. for airports

Specification	
Height	10.18 mm
Width	50 mm
Length	50 mm
Type of fixing	Screw fixing:(0.5 Nm) screws M3
LED Type	Philips Fortimo FastFlex LED 2x6 / 740 DA HE and LED modules with 25.4 mm pitch distance according to Zhaga Book 15
Pitch distance	25.4 mm
Material	PMMA
Colour	clear
Lense surface	High gloss
Permissible application temperature	- 40°C up to +80°C*
Weight	10.6 g

The presented information is for reference only. All lighting parameters are typical values.
The light distribution depends on the type of LEDs used, their positioning tolerance, chip size, and color.

* 70°C, if ball pressure test according to EN 60598-1 section 13.2.1 is required for components that ensure protection against electric shock.



Measured with Philips Fortimo FastFlex LED 2x6 / 740 DA HE

Efficiency: 94 %