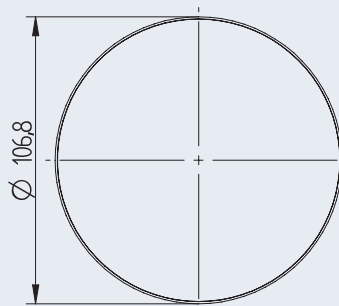
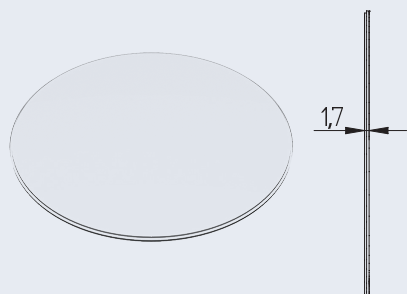


OptiSpot R Cover Ø 106.8 mm

35.908 · Cover and diffusor plate for reflectors **35.850** with Ø 110 mm



technology for light



pkg.	wt.	part no.
18	4.2 g	35.908.1001.85

OptiSpot R Cover- Cover plate

For use with reflectorsn **35.850.1001 - 1004.56**
with Ø 110 mm

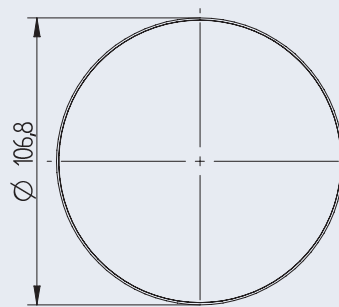
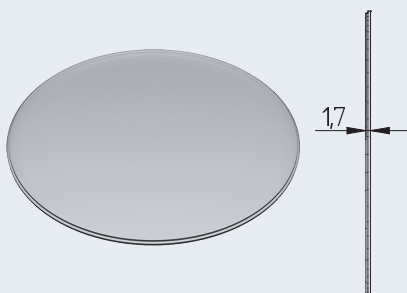
Snap in fixing onto top side of the reflector by means of snap in hooks

Material: PC, clear

The following product properties are achieved by combining a reflector with a cover plate :

- Visible reflector design
- Dust proof
- Insect protection
- Contact protection (reflector)

Please do not touch the reflector inside with bare fingers.



pkg.	wt.	part no.
18	4.2 g	35.908.1001.89

OptiSpot R Cover- Diffusor plate

For use with reflectorsn **35.850.1001 - 1004.56**
with Ø 110 mm

Snap in fixing onto top side of the reflector by means of snap in hooks

Material: PC, clear, satined surface

The following product properties are achieved by combining a reflector with a cover plate :

- Soft transition of the color fringes
- Possibly visually disruptive openings of the connector are covered
- Dust proof
- Insect protection
- Contact protection (reflector)

Please do not touch the reflector inside with bare fingers.

OptiSpot R Cover Ø 106.8 mm

35.908 · Cover and diffusor plate for reflectors **35.850** with Ø 110 mm

Reflector series 35.850.1001 - 1004.56



35.850.1001.56 Spot



35.850.1002.56 Medium



35.850.1003.56 Flood



35.850.1004.56 Wide Flood



35.850.
with cover plate



35.850
with diffusor plate

Effect on beam angle and efficiency of the reflector when combined with a cover plate or diffusor plate (measured with COB Citizen CLU038 and connector **47.319.2025.50**). The values are for reference only.

Beam angle (FWHM) reflector	Efficiency reflector	Beam angle with cover plate 35.908.1001.85	Efficiency with cover plate 35.908.1001.85	Beam angle with diffusor plate 35.908.1001.89	Efficiency with diffusor plate 35.908.1001.89
35.850.1001.56 15°	87%	16°	82%	17°	82%
35.850.1002.56 21°		22°		23°	
35.850.1003.56 38°		38°		38°	
35.850.1004.56 53°		54°		52°	