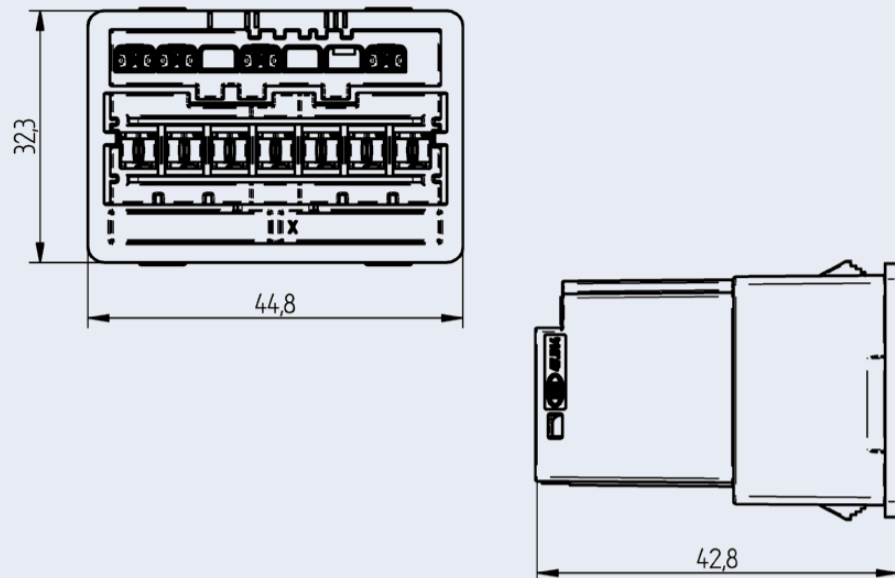


Connector System 7 poles

47.514 Connector System 7 poles - Male connector



Part no.
47.514.4107-0

Marking:	PE symbol
No. of poles	7
Mechanical fixation	Snap-in fixation
PE contact	Central position

- Standard connector system for integration into individual endcaps
- Versatile in usage for all type of endcaps that is needed within a full integrated trunking system or single luminaire solution
- Push-in contacts for all electrical connections
- Plug and play solution

Electrical data	
Type of Certificate	VDE
Rating according to	DIN EN 61984
Rated voltage	500 V
Rated impulse voltage	4 kV
Rated current	16 A
Rated connection capacity	2.5 mm ² / 16 A
Rated temperature	T 85

Connection data	
Connection type 1	Internal
Connection technology	Push wire contact
No. of connection points per pole	1
Wire material	Copper
Solid wires	1.5 - 2.5 mm ²
Strip length	12 + 1 mm
Connection type 2	Internal
Connection technology	Supply connector
No. of connection points	1

Connection type 3	Internal
Connection technology	Phase selection
No. of connection points	1
Solid wires	0.5 - 0.75 mm ²
Strip length	8 +1 mm

Material data	
Colour	black
Insulating material group	I
Insulating material	Polyamid (PA)
Flammability class per UL94	V-2
Glow wire test	850°C
Contact material	CuNiSi
Contact surface	Tin-plated

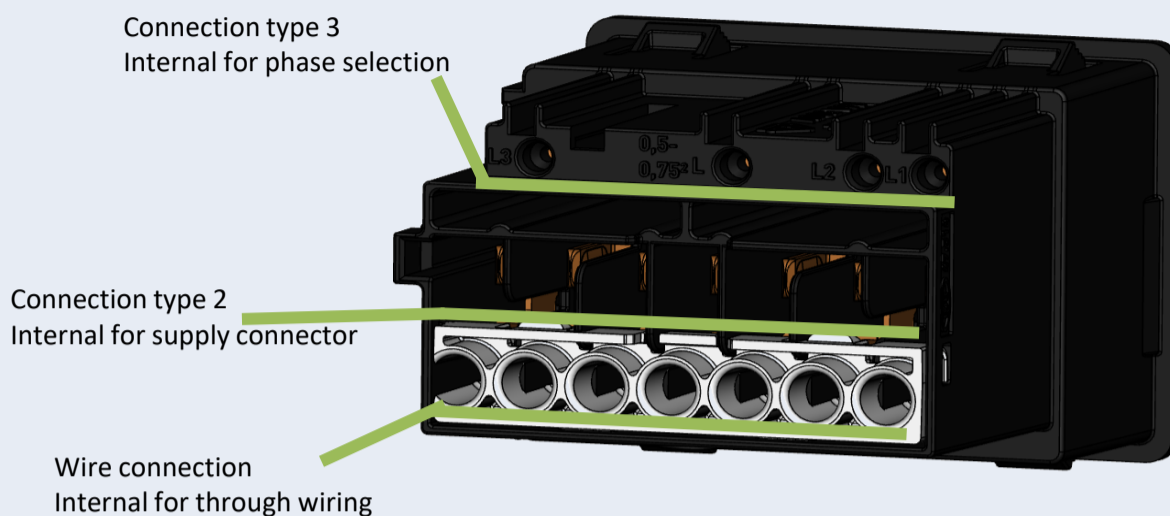
Environmental conditions	
Temperature range	-40°C to +125°C
Rated temperature	T 85

Packaging data	
Product weight	32.1 g
Packaging I	tbc
Box weight	tbc

Connector System 7 poles

47.514 Connector System 7 poles - Male connector

Example of connections



Product family overview

