

Receptacle 47.121.U304.80 for communication and sensor units for O ring seal and BJB metal sheet cut-out



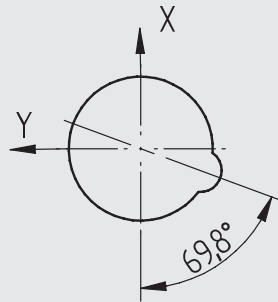
**Electromechanical interface for outdoor luminaires according to Z Zhaga Book 18 to accommodate communication and sensor units**

Receptacle 47.121.U034.80 for BJB metal sheet cut-out 4 pole

**Area of application:**

Street and area lighting (parking areas and footpaths)  
outdoor lighting  
wall lights

- IP-compliant connector and cap
- Compact design for flexible mounting position in luminaire housing
- Approved and certified according to VDE DIN EN 61984



**Modular system**

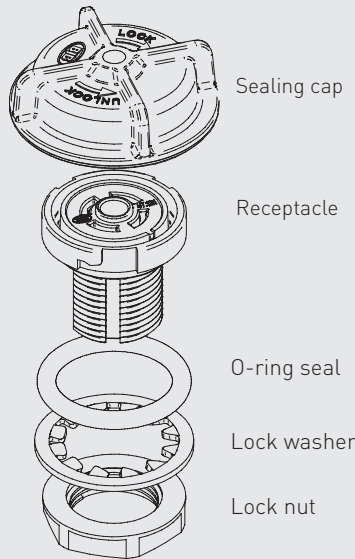
**Sealing cap:** 47.121.-303.xx  
Material: PBT

**Receptacle:** 47.121.U304.80  
4 pole  
Material: Contacts: CuSn  
Housing: PBT / PC

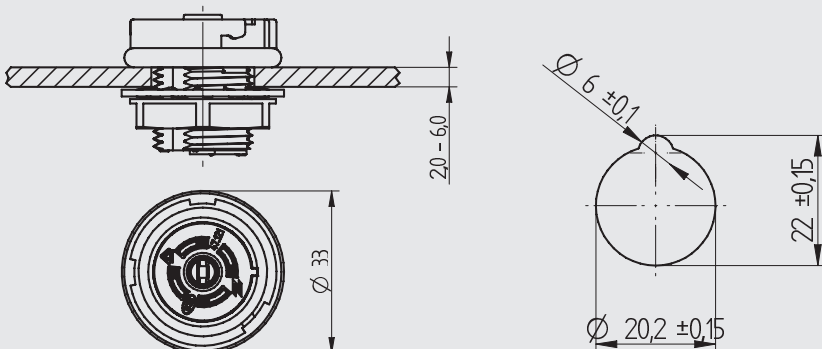
**O ring seal:** 47.121.-705.84  
Material: MVQ (Silicone)

**Lock washer M20:** 47.121.-702.14  
Material: steel zinc plated

**Lock nut M20x1.5 mm:** 47.121.-305.80  
Material: PA



**Assembly dimensions and cut-out**



Temperature data	
Temperature range	-40 °C up to 100°C
Mechanical data	
Protection class	IP 66
Thread	M20 x 1.5 mm
Thread length	18.5 mm
IK-Impact strength grade	IK09
Height above luminaire	10 mm
Luminaire housing thickness	2.0 - 6.0 mm
Tightening torque of the locknut	2.5 Nm
Electrical data	
Rated current	2 A
Rated voltage	24 V DC
Flexible tinned wire	0.5 - 1.5 mm <sup>2</sup>
Solid wire	0.5 - 1.5 mm <sup>2</sup>
Strip length	8 - 10.5 mm
Insulation diameter	max. 3 mm
Lead	16 - 20 AWG

LED - Lighting and connection technology

Receptacle 47.121.U304.80 for communication and sensor units for O ring seal and BJB metal sheet cut-out



pkg.	wt.	part no.
200	7.8 g	47.121.-303.80 black
200	7.8 g	47.121.-303.90 dark gray
200	7.8 g	47.121.-303.93 anthracite

**Sealing cap**  
Material: PBT

pkg.	wt.	part no.
200	9.6 g	47.121.U304.80

**Receptacle**  
4 pole  
Material: Contacts: CuSn  
Housing: PBT / PC  
Contact rating: 2 A, 24 V  
Hot pluggable  
Wires: for rigid and flexible, tinned wire ends 0.5 - 1.5 mm<sup>2</sup>, 16 - 20 AWG  
Strip length: 8 - 10.5 mm  
Insulation diameter: max. 3 mm

Marking wire entry	Function
1	+24 V Power supply
2	Negative pole for [DALI] protocol Ground for +24 V power supply (contact 1) Ground for General Digital I/O (contact 4)
3	Positive pole for [DALI] protokol
4	General Digital I/O (> 7V)

-40°C  
+100°C

16 - 20 AWG  
0.5 - 1.5 mm<sup>2</sup>

16 - 20 AWG  
0.5 - 1.5 mm<sup>2</sup>

8+1mm

2.0 - 6.0 mm

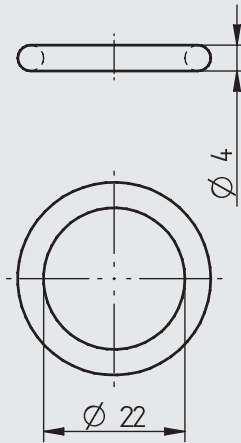
2A  
24 V

CAD

## LED - Lighting and connection technology

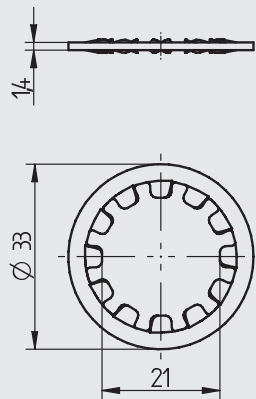
47.121

Receptacle 47.121.U304.80 for communication and sensor units  
for O ring seal and BJB metal sheet cut-out



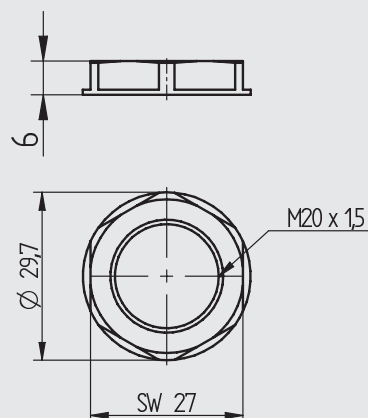
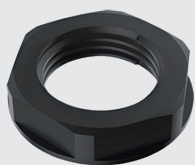
pkg.	wt.	part no.
200	7.8 g	47.121.-705.84

**O ring seal**  
Material: MVQ (Silicone)



pkg.	wt.	part no.
200	4.2 g	47.121.-702.14

**Lock washer M20**  
Material: steel zinc plated



pkg.	wt.	part no.
200	2.5 g	47.121.-305.80

**Lock nut M20x1.5 mm**  
Material: PA