

# COB Connector Slim

47.360 COB Connector Slim Ø50 LED array 28 x 28



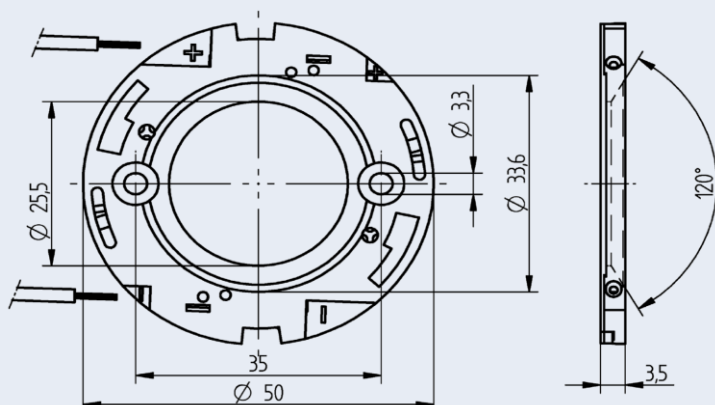
technology for light

Part no.

**47.360.2100-0**

- Compact Design
- High-Strength Housing
- Durable Contacts
- Flexible Connectivity
- COB Pre-fixation
- Accessory Integration
- Clear Markings

Polarity of LED must be observed  
 Specifications of LED manufacturer must be observed  
 cURus: For limited applications



Mechanical data		
Screw fixing	M 3	
Max. torque	0.5 Nm	
Alternative with P2F for blind holes	28.902.E102-0	
Integrated interface for reflectors	Yes	
Material data		
Material housing	PBT	
Material contacts	CuSn	
Electrical data		
	VDE (EN60838-1)	UL (UL 8754)
Current rating	3 A	3 A
Voltage rating	150 Vdc	60 Vdc
Connection data		
Connection technology	push-in terminals	
Solid wires	0,35 - 0,5 mm <sup>2</sup>	AWG 22 - 20
Stranded , tinned wires	0.35 - 0.5 mm <sup>2</sup>	AWG 22 - 20
	max. 1.05 mm	
Strip length	8 +1 mm	
Country specific certificates		
VDE certificate	40047483	
UL file number	E345385	
Commercial data		
Packaging quantity	450	
Weight	3.4 g	
Environmental requirements		
Operating temperatur range	-30 to +110°C	

Specification of LED manufacturer must be observed

In a series connection of LED modules, the air gap and creepage distances has to be sized that each modules cover the total voltage of the series connection

COB compatibility list see BJB website

<https://www.bjb.com/en/cob-connector-slim-oe50-led-array-28x28/47.360.2100.50>

\*Warranty conditions of BJB GmbH & Co. KG as stated as available via the Internet under <https://www.bjb.com/en/legal-information/general-terms-and-conditions/> are valid.