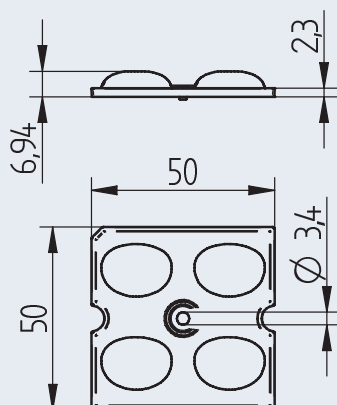


OptiSquare 2x2 - IESNA Type 2 M Cutoff

35.104 · 2x2 · Optics for street and area lighting



pkg. wt. Artikel-Nr.
120 8.8 g 35.104.1011.85

OptiSquare 2x2 - IESNA Type 2 M Cutoff
Optics for street and area lighting
for use with LED modules according to Zhaga Book 15

Light distribution: IESNA Type 2 M Cutoff

Material: PMMA (clear)
Screw fixing: for screws M3
Maximum torque: 0.5 Nm

Suitable for Philips Fortimo FastFlex LED 2x6 / 740 DA HE and LED modules with 25.4 mm pitch distance according to Zhaga Book 15

Typical application:

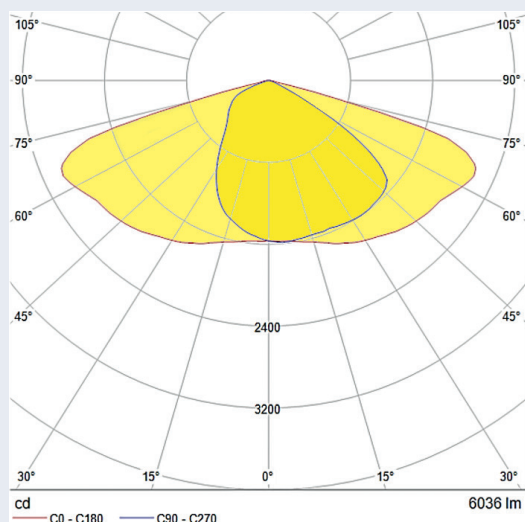
- Walkways, paths and sidewalks
- Entrance roadways
- Loading and access ramps
- General road and street lighting
- Car parks and parking area lighting
- Perimeter of parking areas
- Center of roadways and intersections

Height	6.94 mm
Width	50 mm
Length	50 mm
Type of fixing	Screw fixing: (0.5 Nm) screws M3
LED Type	Philips Fortimo FastFlex LED 2x6 / 740 DA HE and LED modules with 25.4 mm pitch distance according Zhaga Book 15
Pitch distance	25.4 mm
Material	PMMA
Colour	clear
Lens surface	High gloss
Permissible application temperature	-40 °C up to + 75 °C

The presented information are for reference only. All lighting parameters are typical values.
The light distribution depends on the used type of LEDs, position tolerance, chip size and used colour.

-40°C
+75°C

CAD



Light distribution: IESNA Type 2 M Cutoff
measured with Philips Fortimo FastFlex LED 2x6 / 740 DA HE

Efficiency: 97%