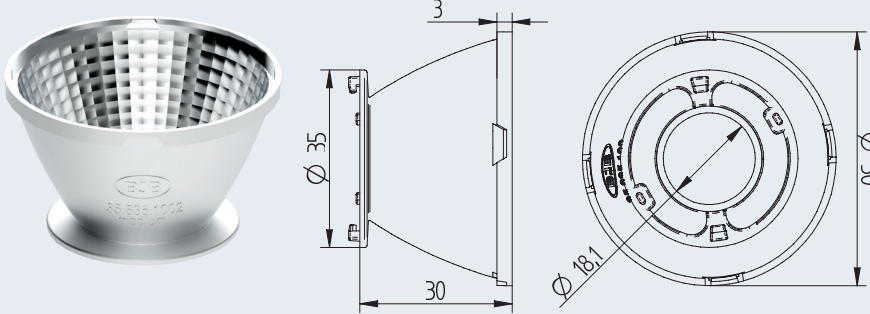


OptiSpot Reflector Ø 50 mm - Medium

35.835 · OptiSpot Reflector for use with connectors 47.360 Ø 35 mm



technology for light



pkg.	wt.	part no.
49	7.4 g	35.835.1002.50

OptiSpot Reflector Ø 50 mm - Medium
Bayonet fixing (Twist & Lock action) into connector
Material: PC, Aluminium coated
Light distribution: Medium

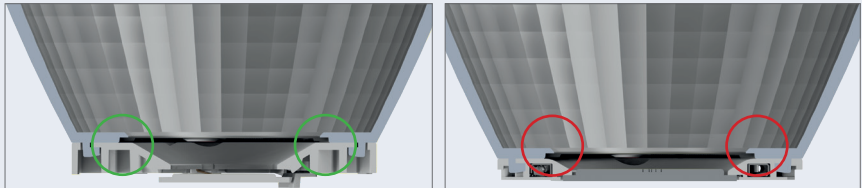
Reflector is optimized for use with connectors **47.360.1020** and **47.360.1030.50** with a diameter of 35 mm.*

- Reflector interface is adapted to the mixing cone of the connector
- Possibly visually disruptive openings of the connector are covered

We recommend the use of COB's with LES < 12 mm.

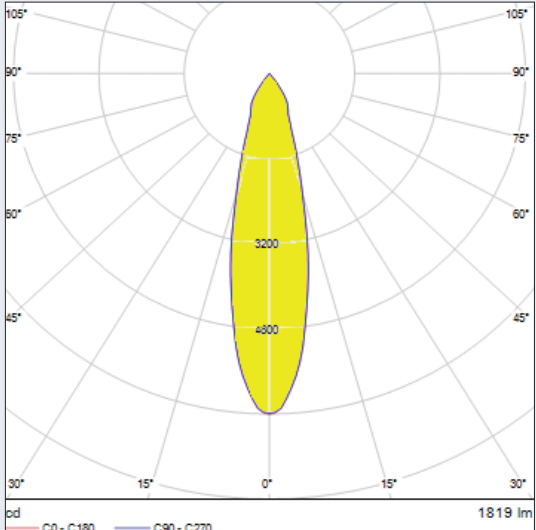
Please do not touch the reflector inside with bare fingers.

* The reflector can also be combined with other connectors
Please contact us for more information.



It should be noted that the upper cone diameter of the mixing chamber of the connector must be smaller than the opening diameter of the reflector (here Ø 18.1 mm), so that an undercut is avoided (picture on the right).

100°C CAD



Beam angle measured with COB Citizen CLU02J and connector **47.360.1020.50**.

Beam angle (FWHM): 25°
Efficiency: 86%

Beam angle depends on the COB used.

06.2023

OptiSpot Reflector Ø 50 mm - Medium

35.835 · 35.908 · Accessories and modular system



technology for light

Accessories:



Cover plate
35.908.1004.85



Diffusor plate
35.908.1004.89



Diffusor lens
35.908.1008.89



Connector Ø 35 mm

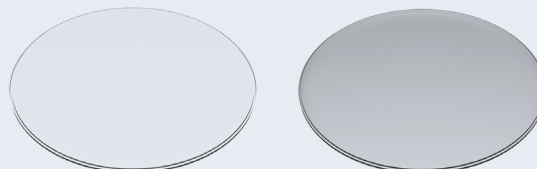
Effect on the beam angle and the efficiency of the reflector when combined with a cover plate, diffusor plate or diffusor lens (measured with COB Citizen CLU02J and connector 47.360.1020.50). The values are for reference only.

Beam angle (FWHM) reflector 35.835.1002.56	Efficiency reflector 35.835.1002.56	Beam angle with cover plate 35.908.1004.85	Efficiency with cover plate 35.908.1004.85
25°	86%	26°	82%
		Beam angle with diffusor plate 35.908.1004.89	Efficiency with diffusor plate 35.908.1004.89
		27°	82%
		Beam angle with diffusor lens 35.908.1008.89	Efficiency with diffusor lens 35.908.1008.89
		30°	83%

Modular system



Abdeck- oder Diffusorscheibe



Diffusor lens

