

LED - Lighting and connection technology

46.131
46.110

SMD Pico-B2B-Connector



pkg. wt. part no.
1000 0.2 g 46.131.U701.00

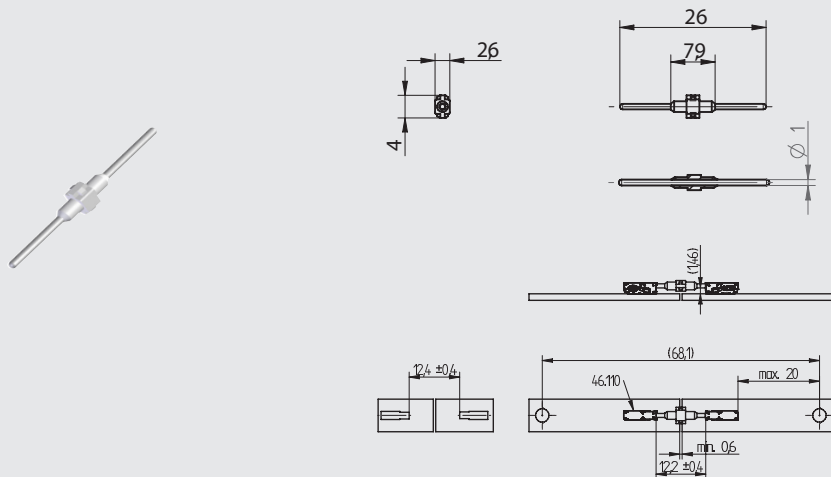
SMD Pico-B2B-Connector - 1 pole
for connecting printed circuit boards

To combine with SMD terminal blocks Pico 46.110.1001.48

Push in fixing
Material: Housing: PA 66
Pin: Brass, tin plated (CuZn 35)
Max. temperature: -40° C up to + 105° C

Rated current: 9A

- Push in fixing: Quick, easy and tool free connection of LED modules
- Cost and times time saving connection of LED modules
- Reverse polarity protection
- No disturbing wires in the light cone

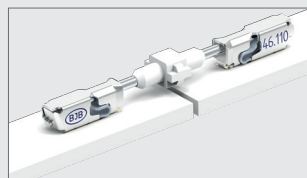
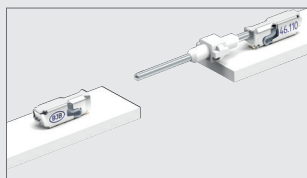


Suitable for:

SMD terminal blocks Pico 46.110.1001.48



Example of application: First insert the connection element into the SMD terminal block of the first module and then axially into the opposite SMD terminal block of the following module.



Accessories:

Contact opening tools 46.110.U801.89



- To open contacts for inserting finely stranded wires or for removal of already inserted cables.