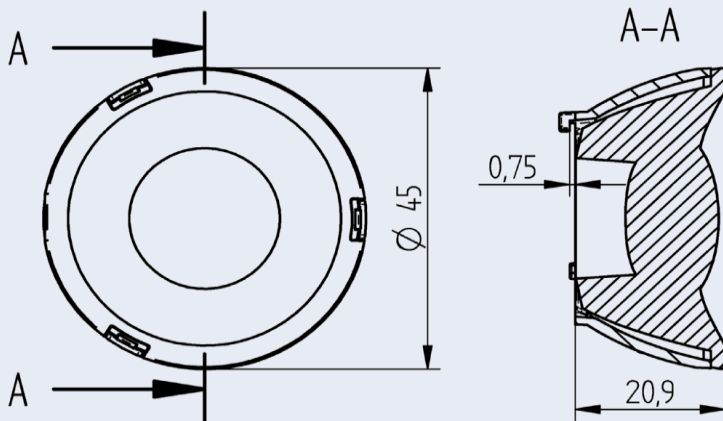


OptiSpot Lens Ø 45 mm - Medium

35.245 - Optispot Lens for use with COB connectors 47.360 Ø 35 mm



Part no.
35.245.2002-0

OptiSpot Lens Ø 45 mm - Medium

Bayonet fixing by Twist & Lock action

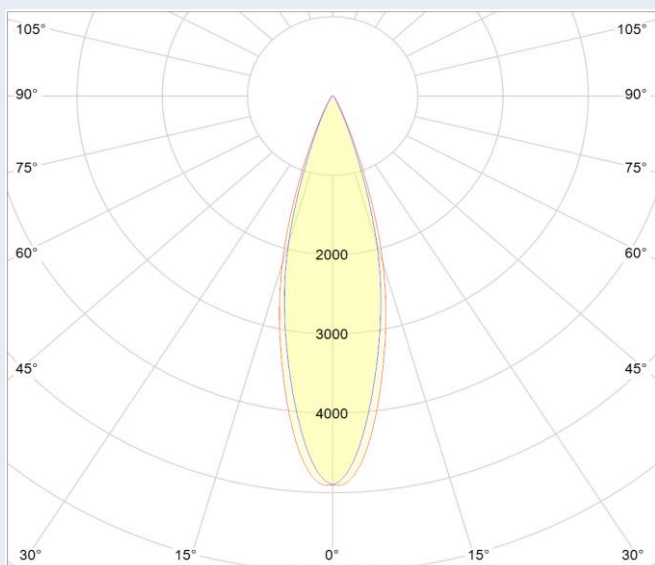
Light distribution: Medium

OptiSpot Lens is optimized for use with connectors 47.360 with Ø 35 mm.*

Specification	
Ø on top	45 mm
Height	20,90 mm
Material holder	PC
Material lens	PMMA
Operating temperature	- 40°C ... 80°C*
Weights	19,1 g
Light distribution	Medium
Beam angle* (FWHM)	26°
Efficiency**	82%
Recommended COB Type	Citizen CLU02J

**Light distributions change with choice of LED type, measured with COB Luminus CHM-6 and BJB connector 47.360.1020-0.

* 70°C, if ball pressure test according to EN 60598-1 section 13.2.1 is required for components that ensure protection against electric shock



Beam angle (FWHM) measured with Citizen CLU02J and connector 47.360.1020-0.

Beam angle (FWHM): 26° Efficiency: 82%

Beam angle depends on used COB and its LES.