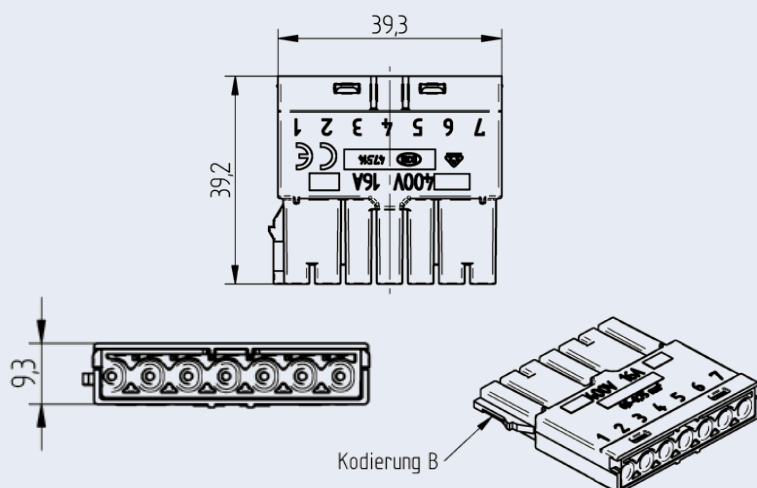


# Connector System 7 poles

47.514 Connector System 7 poles - Supply connector Code B large



technology for light



Part no.  
**47.514.3407-0**

Marking: 1 - 2 - 3 - 4 - 5 - 6 - 7  
 No. of poles 7  
 Mechanical fixation Snap-in fixation  
 PE contact non, middle contact is preemptive

- Standard connector system for integration into individual endcaps
- Versatile in usage for all type of endcaps that is needed within a full integrated trunking system or single luminaire solution
- Push-in contacts for all electrical connections
- Plug and play solution

Electrical data	
Type of Certificate	VDE
Rating according to	DIN EN 61984
Rated voltage	500 V
Rated impulse voltage	4 kV
Rated current	16 A
Rated connection capacity	2.5 mm <sup>2</sup> / 16 A
Rated temperature	T 85

Connection data	
Connection technology	Push wire contact
No. of connection points per pole	1
Wire material	Copper
Solid wires	1.5 - 2.5 mm <sup>2</sup>
Strip length	12 + 1 mm

Material data	
Colour	grey
Insulating material group	I
Insulating material	Polyamid (PA)
Flammability class per UL94	V-2
Glow wire test	850°C
Contact material	CuNiSi
Contact surface	Tin-plated

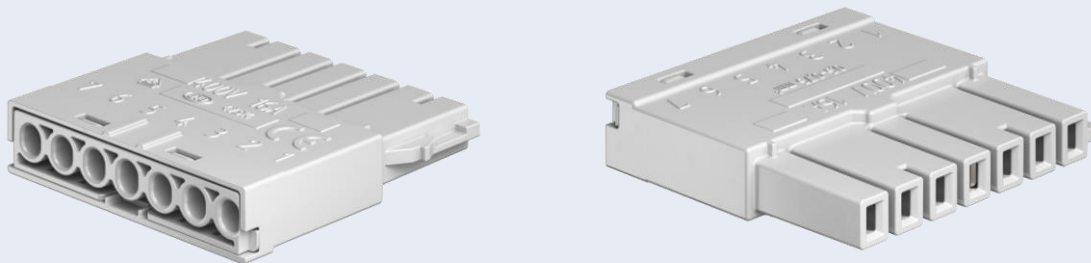
Environmental conditions	
Temperature range	-40°C to +125°C
Rated temperature	T 85

Packaging data	
Product weight	15,7 g
Packaging I	200 pcs per box
Box weight	3.32 kg

# Connector System 7 poles

47.514 Connector System 7 poles - Supply connector Code B large

## Example of connections



## Product family overview

