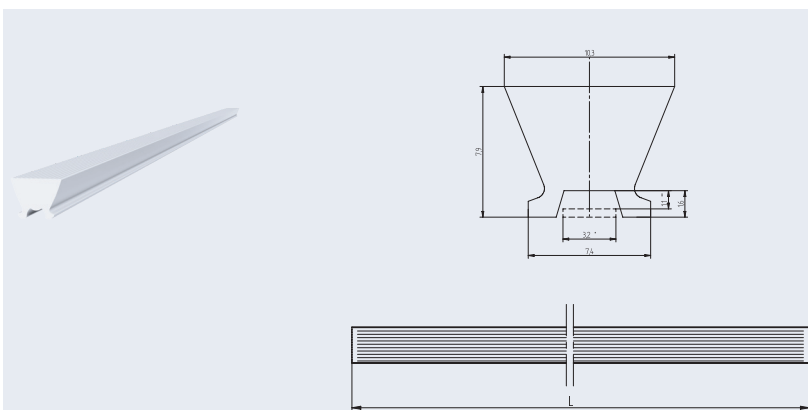


# OptiLine Slim 20 - 24 mm

31.930 · 35.301 · Extrusion optics - Modular system for 20 - 24 mm wide LED modules



technology for light

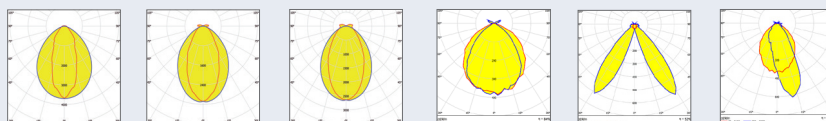


### Linear extrusion optics


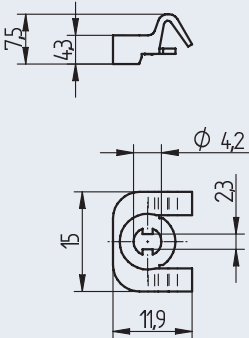
Material: PMMA, clear  
 Snap-in fixing into holder 31.930.-34X  
 Optimised for LED type 2835, 3030 and 5630

- Extremely slim
- For application directly above the LED
- No additional profile for guidance required
- Standard length: 560 and 1.120 mm
- Height: 7.9 mm
- Width: 10.3 mm
- Optics provides room for thermal expansion of the LED module
- For use as primary optics in linear and area lighting applications
- Uniform light distribution
- Additional versions on request

System illustration



part no.	Length	Optical efficiency	Narrow beam (FWHM)	Medium wide (FWHM)	Medium wide (FWHM)	Wide (FWHM)	Double asymmetric	Single asymmetric
31.930.-443.85	560 mm	typical 94%	44°					
31.930.-440.85	1.120 mm	typical 94%	44°					
31.930.-444.85	560 mm	typical 93%		53°				
31.930.-441.85	1.120 mm	typical 93%		53°				
31.930.-444.89	560 mm	typical 92%			60°			
31.930.-441.89	1.120 mm	typical 92%			60°			
35.301.1011.85	560 mm					90°		
35.301.1012.85	1.120 mm					90°		
35.301.1013.85	560 mm						±30°	
35.301.1014.85	1.120 mm						±30°	
35.301.1015.85	560 mm							+15°
35.301.1016.85	1.120 mm							+15°


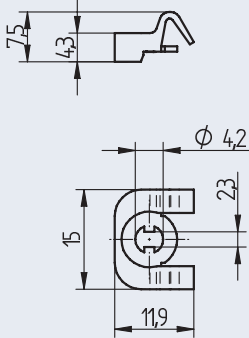
pkg.	wt.	part no.	
700	2 g	31.930.-342.50	white
700	2 g	31.930.-343.85	transparent

**Holder for 20 mm wide LED modules and extrusion optics**  
Material: PC  
Easy and quick assembly with standardised P2F (Push to Fix) **28.901**

- Easy, fast and secure optics mounting by clip in fixing from above
- Universal application - no defined hole spacing
- Integration of the optics without disturbing the light image
- Assembling of optic holder and optics in one step

Recommended number of optic holders: 7 pcs. at 560 mm length of the LED modules

Optimised for use of 1.120 mm LED modules

colour	pkg.	wt.	part no.	clamping range
white	700	2 g	31.930.U301.50	0.3 - 0.8 mm
transparent	700	2g	31.930.U306.85	
white	700	2 g	31.930.U302.50	0.8 - 1.2 mm
transparent	700		31.930.U307.85	
white	700	2 g	31.930.U303.50	1.6 mm
transparent	700	2 g	31.930.U308.85	

**Holder with pre-assembled P2F (Push to Fix) 28.901 for 20 mm wide LED modules and extrusion optics**

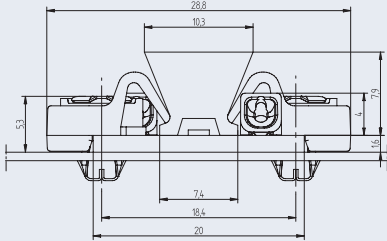
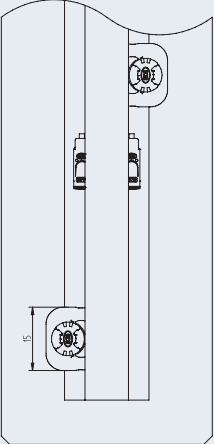
Material:  
Holder: PC  
P2F (Push to Fix): Metall: CrNi with silicone ring

- Easy, fast and secure optics mounting by clip in fixing from above
- Universal application - no defined hole spacing
- Integration of the optics without disturbing the light image
- Assembling of optic holder and optics in one step

Recommended number of optic holders: 7 pcs. at 560 mm length of the LED modules

Optimised for use of 1.120 mm LED modules

**Example of application with 20 mm LED module and P2F**

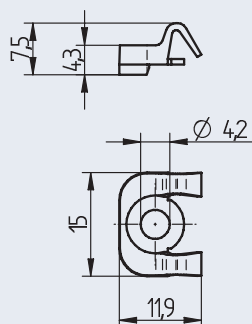
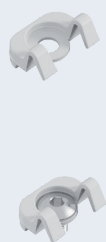



# OptiLine Slim 20 - 24 mm

31.930 · Holder for extrusions optics - Modular system for 20 - 24 mm wide LED modules



technology for light



pkg.	wt.	part no.
700	2 g	31.930.-344.50 white

## Holder for extrusion optics and 20 mm wide LED modules

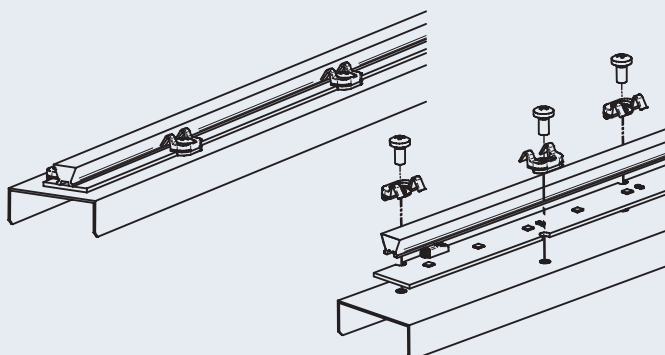
Material: PC  
Easy and quick assembly with standardised screws M3

- Easy, fast and secure optics mounting by clip in fixing from above
- Universal application - no defined hole spacing
- Integration of the optics without disturbing the light image
- Assembling of optic holder and optics in one step

Recommended number of optic holders: 7 pcs. at 560 mm length of the LED modules

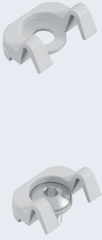
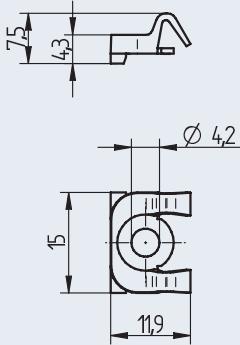
Optimised for use of 1.120 mm LED modules

## System illustration



# OptiLine Slim 20 - 24 mm

31.930 · 28.901 · Holder and P2F for extrusions optics -  
Modular system for 20 - 24 mm wide LED modules

pkg. 700    wt. 2 g    part no. **31.930.-345.50**    white


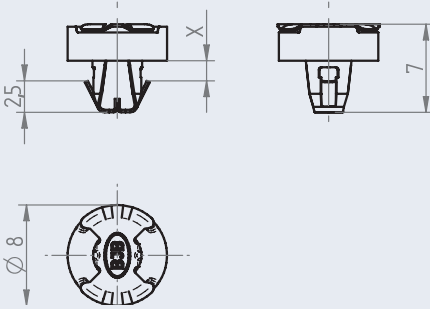
**Holder for extrusion optics and 24 mm wide LED modules**

Material: PC  
Easy and quick assembly with P2F (Push to Fix) **28.901** or standardised screws M3

- Easy, fast and secure optics mounting by clip in fixing from above
- Universal application - no defined hole spacing
- Integration of the optics without disturbing the light image
- Assembling of optic holder and optics in one step

Recommended number of optic holders: 7 pcs. at 560 mm length of the LED modules

Optimised for use of 1.120 mm LED modules

Colour	pkg.	wt.	part no.	Overall thickness
grey	5000	2 g	<b>28.901.U164.10</b>	2.4 - 2.7 mm
white	5000	2 g	<b>28.901.U165.10</b>	2.7 - 3.2 mm
blue	5000	2 g	<b>28.901.U166.10</b>	3.2 - 3.6 mm

**Push-to-Fix (P2F) -Fixing element**

Push-in fixing for mounting LED modules and BJB- Optic holder into a luminaire housing  
Material: CrNi with silicone ring  
Constant and reliable pressure by means of elastical silicone  
Contact pressure: min. 10 N  
Push-in fixing: for hole pattern in light fitting  
ø 4.2 +/- 0.1 mm and ø 4.7 +/- 0.1 mm in PCBs

- Quick assembly process improves production efficiency and reduces production costs
- Eliminates potential damage from screw fixing due to low insertion force
- CrNi and silicone materials ensure long life reliability
- Reliable heat dissipation due to a constant pressure
- Suitable for Zhaga certified LED modules. BJB recommends to use modules with 4.7 mm fixing hole diameter
- Assembly without any additional tools possible
- Solutions for Automation upon request
- Removable from front

**System illustration**

