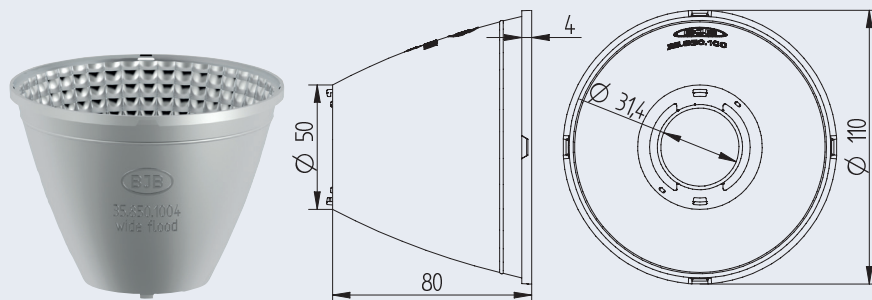


# OptiSpot Reflector Ø 110 mm - Wide Flood

35.850 · OptiSpot Reflector for use with COB connectors 47.360 / 47.319 with Ø 50 mm



technology for light



pkg.	wt.	part no.
9	57.4 g	35.850.1004.50

## OptiSpot Reflector Ø 110 mm - Wide Flood

Bayonet fixing by Twist & Lock action

Material: PC, Aluminium coated

Light distribution: Spot

Reflector is optimized for use with connectors 47.319.2013 / 2021 / 2025 / 2026 / 2345 and 47.360.5010.50 with Ø 50 mm.\*

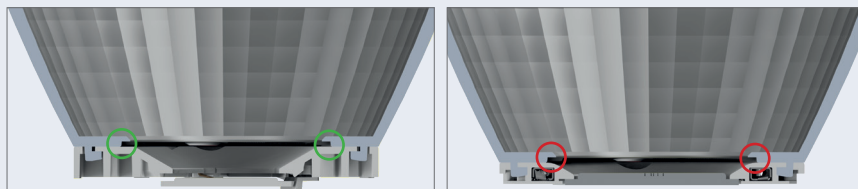
- Reflector interface is adapted to the mixing cone of the connector
- Possibly visually disruptive openings of the connector are partly covered

Recommended for COB's with LES < 17 mm.

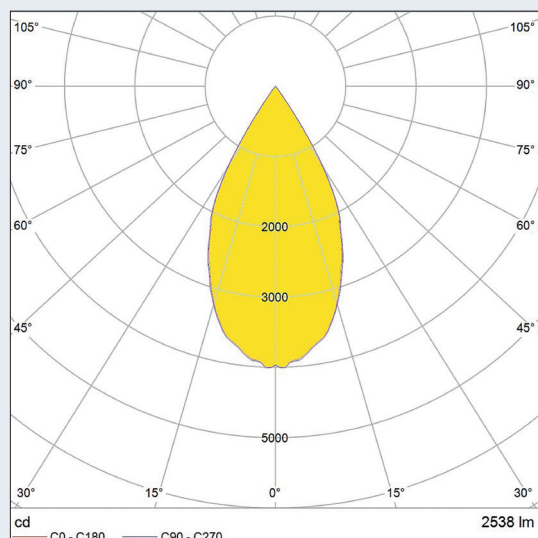
Please do not touch the reflector inside with bare fingers.

\*The reflector can also be combined with further connectors. Please contact us.

It should be noted that the upper cone diameter of the mixing chamber of the connector must be smaller than the opening diameter of the reflector (here Ø 31.4 mm), so that an undercut is avoided (picture on the right).



100°C CAD



Beam angle (FWHM) measured with Citizen CLU38 and connector 47.319.2025.50.

Beam angle (FWHM): 38°  
Efficiency: 87%

Beam angle depends on used COB and its LES.

# OptiSpot Reflector Ø 110 mm - Wide Flood

35.850 · 35.908 · Accessories and modular system

## Accessories:



Cover plate  
**35.908.1001.85**



Diffusor plate  
**35.908.1001.89**



Diffusor lens  
**35.908.1003.89**

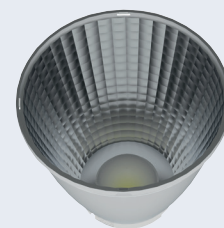


Connector Ø50 mm

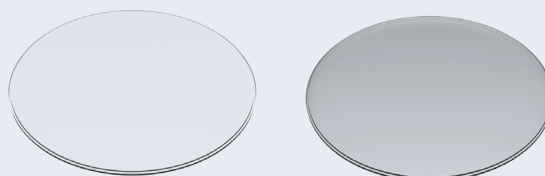
Effect on beam angle and efficiency of the reflector when combined with a cover plate, diffusor plate or diffusor lens (measured with COB Citizen CLU038 and connector **47.319.2025.50**). The values are for reference only.

Beam angle (FWHM) reflector <b>35.850.1004.56</b>	Efficiency reflector <b>35.850.1004.56</b>	Beam angle with cover plate <b>35.908.1001.85</b>	Efficiency with cover plate <b>35.908.1001.85</b>
38°	87%	38°	82%
		Beam angle with diffusor plate <b>35.908.1001.89</b>	Efficiency with diffusor plate <b>35.908.1001.89</b>
		38°	82%
		Beam angle with diffusor lens <b>35.908.1003.89</b>	Efficiency with diffusor lens <b>35.908.1003.89</b>
		40°	85%

## Modular system



Cover or diffusor plate



Diffusor lens

