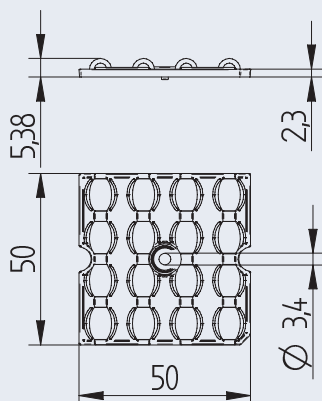
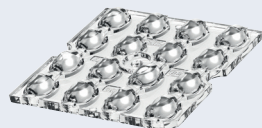


# OptiSquare 4x4 - Oval

35.116 · 4x4 · Optics for Highbay area lighting



**OptiSquare 4x4 -  
Optics for Highbay area lighting  
for use with LED modules according to Zhaga Book 15**

**Light distribution: Oval**

Material: PMMA (clear)  
Screw fixing: for screws M3  
Maximum torque: 0.5 Nm

Suitable for LED chips 3030, 2835 and LED modules with 4x4 Pitch according to Zhaga Book 15

**Typical application:**

- Car parks and parking area lighting
- Perimeter of car parks and parking areas
- Industrial lighting such as high-bay warehouses, packaging and shipping halls, production halls

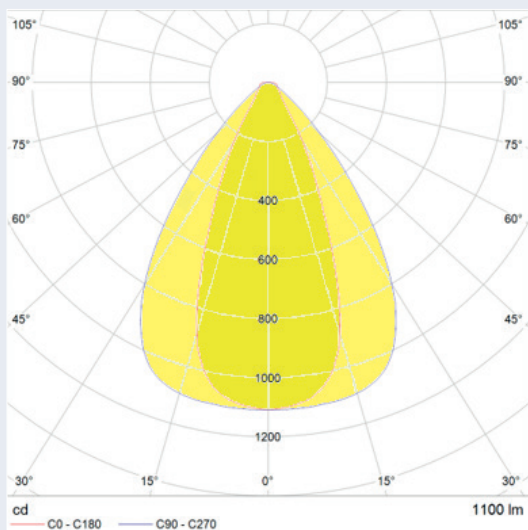
Height	5.4 mm
Width	50 mm
Length	50 mm
Type of fixing	Screw fixing: (0.5 Nm) for screws M3
Type of LED	3030, 2835
Pitch distance	12.5 mm
Material	PMMA
Colour	clear
Lens surface	Highly polished
Optical efficiency	see below
Permissible application temperature	-40 °C up to + 80 °C

pkg. wt. part no.  
500 6.8 g **35.116.1009.85**

The presented information are for reference only. All lighting parameters are typical values. The light distribution depends on the used Type of LEDs, position tolerance, chip size and used colour.

-40°C  
+80°C

CAD



Light distribution: Oval  
measured with Philips Fortimo FastFlex LED 4x16 DHE G4

Efficiency: 98%