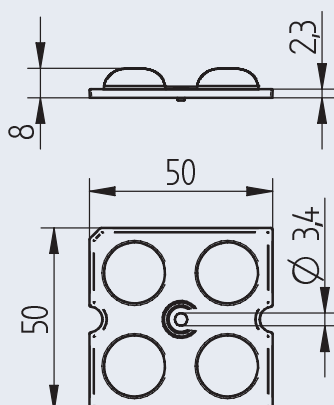


OptiSquare 2x2 - Wide

35.104 · 2x2 · Optics for Highbay and area lighting



pkg. wt. part no.
120 9.7 g 35.104.1009.85

OptiSquare 2x2 - Wide
Optics for Highbay and area lighting
for use with LED modules according to Zhaga Book 15

Light distribution: Wide

Material: PMMA (clear)
Screw fixing: for screws M3
Maximum torque: 0.5 Nm

Suitable for Philips Fortimo FastFlex LED 2x6 / 740 DA HE and LED modules with 25.4 mm pitch distance according to Zhaga Book 15

Typical application:

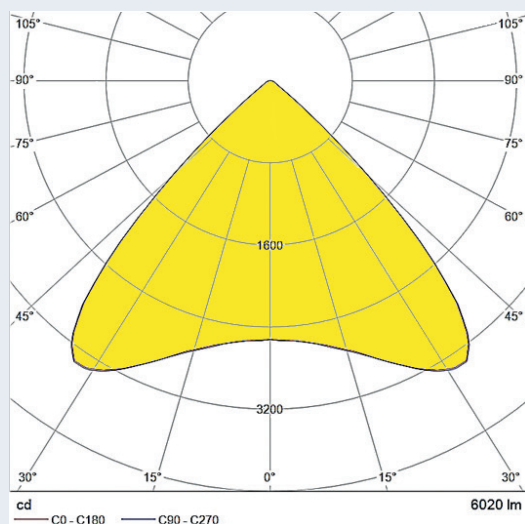
- Car parks and parking area lighting
- Perimeter of car parks and parking areas
- Industrial lighting such as high-bay warehouses, packaging and shipping halls, production halls

Height	8 mm
Width	50 mm
Length	50 mm
Type of fixing	Screw fixing: (0.5 Nm) screws M3
LED Type	Philips Fortimo FastFlex LED 2x6 / 740 DA HE and LED modules with 25.4 mm pitch distance according Zhaga Book 15
Pitch distance	25.4 mm
Material	PMMA
Colour	clear
Lens surface	High gloss
Permissible application temperature	-40 °C up to + 75 °C

The presented information are for reference only. All lighting parameters are typical values.
The light distribution depends on the used type of LEDs, position tolerance, chip size and used colour.

-40°C
+75°C

CAD



Light distribution: Wide
measured with Philips Fortimo FastFlex LED 2x6 / 740 DA HE

Efficiency: 97%