

# LED - Lighting and connection technology

**47.950**  
**35.850**

Cover plate for reflectors 35.850 with Ø 92 mm



pkg. wt. part no.  
180 4.2 g **47.950.-408.85**

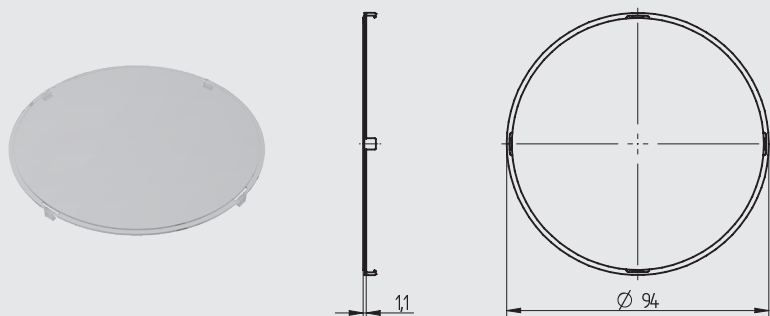
**Cover plate for use with reflectors 35.835 with Ø 92 mm**

**Snap in fixing onto top side of the reflector by means of snap in hooks**

**Material: PC, clear**

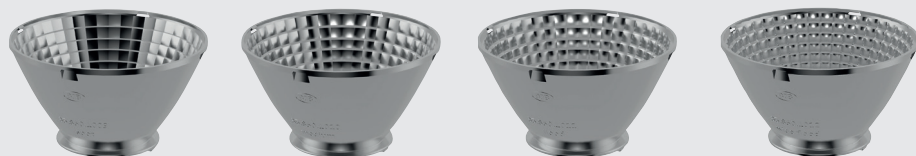
The following product properties are achieved by combining a cover plate with a reflector:

- Reflector design visible
- Dust proof
- Insect protection
- Contact protection



100°C CAD

## Reflector series 35.850



**35.850.1009.56** Spot

**35.850.1010.56** Medium

**35.850.1011.56** Flood

**35.850.1012.56** Wide Flood

Effect on the beam angle and the efficiency of the reflector when combined with a cover plate (measured with COB Citizen CLU038 and connector **47.319.2025.50**). The values are for reference only.

Beam angle (FWHM) reflector	Efficiency reflectors	Beam angle (FWHM) with cover plate <b>47.950.-408.85</b>	Efficiency with cover plate <b>47.950.-408.85</b>
<b>35.850.1009.56</b> 15°	87%	15°	86%
<b>35.850.1010.56</b> 23°	88%	22°	86%
<b>35.850.1011.56</b> 37°	89%	37°	86%
<b>35.850.1012.56</b> 61°	89%	62°	87%