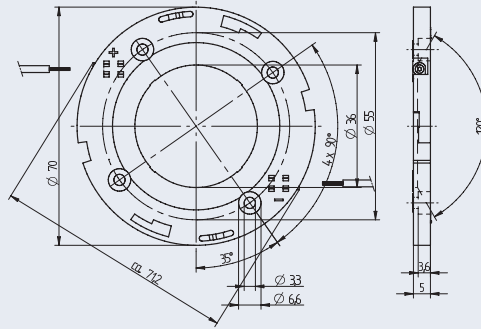


COB Connector


47.319 · COB connector Ø 70 mm for LED array 38 x 38 mm



COB connector Ø 70 mm for LED array 38 x 38 mm

Screw fixing
Housing: PBT
Contacts: CuSn
Rating: 3A / 150 V DC

- With integrated reflector interface
- Easy pre-assembly of LED by press fixing pins on the rear side
- Screw fixing: for screws M3 and locking washer
- Max. torque for screw fixing 0.5 Nm
- Strip length: 6+1 mm
- Polarity of LED must be observed
- Specifications of LED manufacturer must be observed
- In a series connection of LED modules, the air gap and creepage distances has to be sized that each module covers the total voltage of the series connection
- VDE-Reg. Nr. E289

COB-Manufacturer	COB type	Connector - Accessories
BHC	CSPM Series 3838 CW	
Citizen	CLL050 and CL05Q-3618E1	
Edison	Opto Power III	
Itswell	IWC-BH0R2_XX-W1618	
Lumileds	Luxeon 1321, Luxeon 1825	
Luminus	CXM-32	
Seoul Semiconductor	ZC 100, SAW833xxA, SAW933xxA	
Sunpu	G9	
Vossloh	DMC18Q LUGA Shop Gen. 5	

Gew. Verp. Artikel-Nr.
7.7 g 600 **47.319.4160.50**

