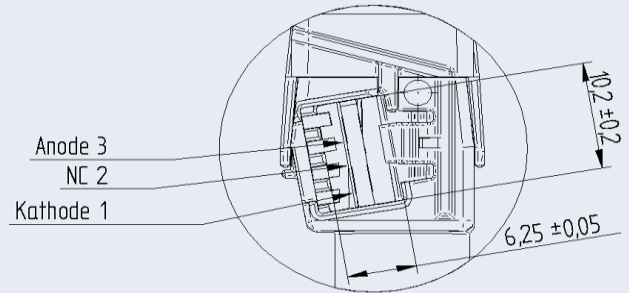
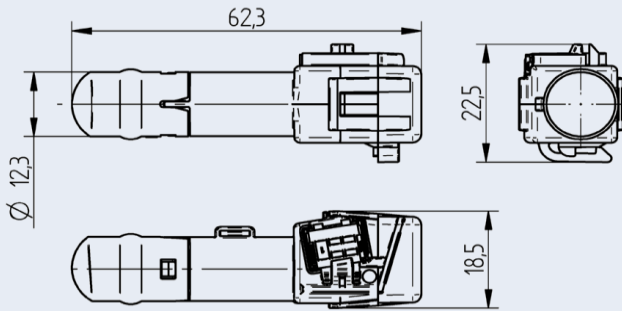


Part no.
77.125.2002-0



Material data	
Housing	PC
Cover	PA
LED cap	PA
Connection data	
Board connection	Suitable for 3-pin Rast 2.5 plug ECO Tronic 7234-003-001-960-000-00-G
Electrical data	
Operating mode	Constant current
Voltage rating	2.8 V
Current rating	350 mA
Power consumption	1 W
Dimmable	yes
Number of led	1
Photometric data Ta @ 25°C in thermal steady state	
Luminous flux	126 lm
Light colour	5000 K
Lumen maintenance	*L70B50 6000 h
Temperature data	
Max. temp. @ Tc point circuit board	110°C

* According to BJB test conditions
Tolerances of electrical and optical data: ±10%

