

OptiSquare 2x2 - M-Class, IESNA Type 3

35.104 · 2x2 · Optics for street and area lighting

OptiSquare 2x2 - M-Class, IESNA Type 3
Optics for street and area lighting
for use with LED modules according to Zhaga Book 15

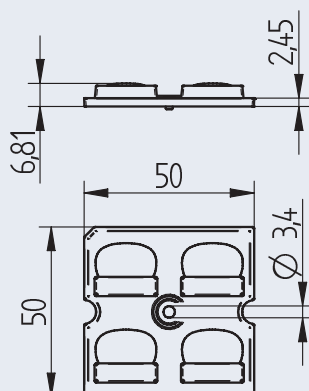
Light distribution: M-Class, IESNA Type 3

Material: PMMA (clear)
Screw fixing: for screws M3
Maximum torque: 0.5 Nm

Suitable for Philips Fortimo Fast Flex LED 2x6 DA HE and LED modules with 12.5 mm pitch according to Zhaga Book 15

Typical application:

- Walkways, paths and sidewalks
- Entrance roadways
- Loading and access ramps
- General road and street lighting
- Car parks and parking area lighting
- Perimeter of parking areas
- Center of roadways and intersections



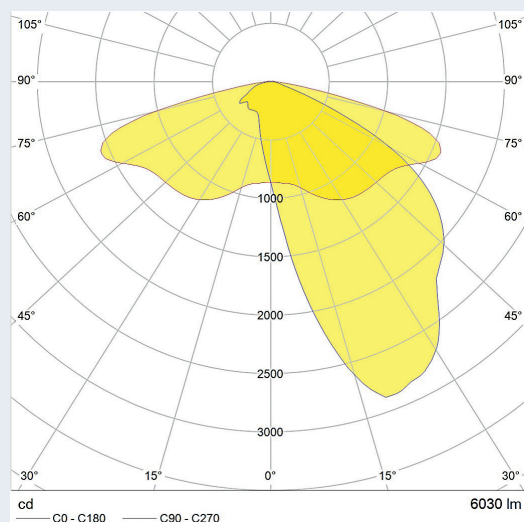
Height	6.81 mm
Width	50 mm
Length	50 mm
Type of fixing	Screw fixing: (0.5 Nm) screws M3
LED Type	Philips Fortimo Fast Flex LED 2x6 DA HE and LED modules with 12.5 mm pitch according to Zhaga Book 15
Pitch distance	12.5 mm
Material	PMMA
Colour	clear
Lense surface	High gloss
Permissible application temperature	-40 °C up to + 80 °C

Packaging information for part no. 35.104.1006.85	
Weight per piece	9.5 g
Quantity per tray	120 pieces
Weight per tray	--- kg
Trays per cardboard	7 pieces
Total quantity	840 pieces
Dimensions cardboard (L x B x H)	400 x 400 x 400 mm
Total weight	10.25 kg

The presented information are for reference only. All lighting parameters are typical values. The light distribution depends on the used type of LEDs, position tolerance, chip size and used colour.

-40°C
+80°C

CAD



Light distribution: M-Class, IESNA Type 3
measured with Philips Fortimo Fast Flex LED 2x6 DA HE

Efficiency: 96%