

2x2 Optics for Street, Area and Highbay Lighting

35.904 · OptiShield Shutter for 2 x 2 Optics, clickable

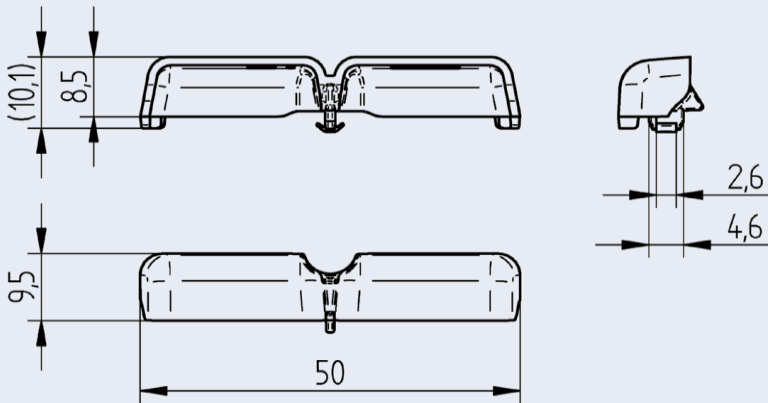
Part no.

35.904.A002

Clickable shading device for 2 x 2 Optics

35.904.A002-0 white

35-904-A002-1 black



Specification	
Type of fixing	Clickable
Material	PC
Permissible application temperature	- 40°C up to +100°C
Packaging quantity	288
Weight	2.6 g

Compatible with OptiSquare 2 x 2
35.104.1018-0
35.104.1020-0
35.104.1021-0
35.104.1022-0

This product contains the following REACH SVHC substances.
For further information please refer to www.bjb.com.

CAS-Number	EG-Number	Substance name
3147-75-9	221-573-5	2-(2H-benzotriazol-2-yl)-4-(1,1,3,3-tetramethylbutyl)phenol