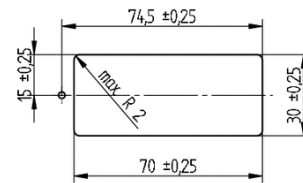
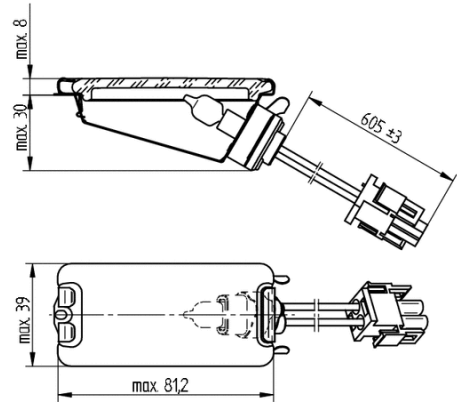




Technology for Light

Oven lamp 77.935.9306.23



G4, 10W, 12V



1,0 - 1,6 mm





Technology for Light

Oven lamp
77.935.9306.23

DESCRIPTION

With AMP plug no.1-480698-0 and AMP contact no. 350536-1
Other cable versions on request

| | |
|--------------------|--|
| Product name: | Oven lamp for steam proofed applications |
| Mounting method 1: | Screw mount |
| Material: | Lens: borosilicate glass 550° C Reflector: Steel aluminised Lampholder: Steatite |
| Wires: | 18 AWG, Glass fibre (max. 450° C), Lead length: 600 mm (23") |
| cURus file no.: | E-93328 |
| Lamp: | G4, 10W |
| Pkg.: | 160 |