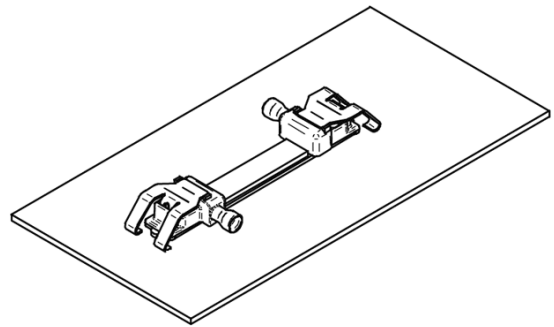
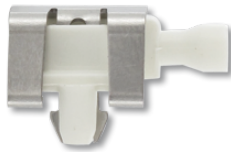
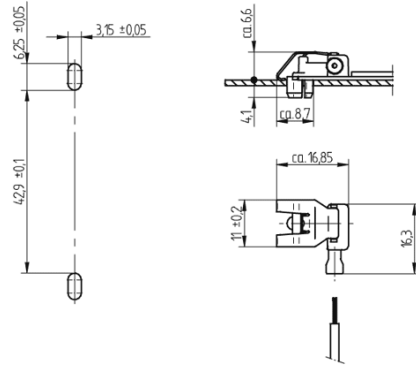
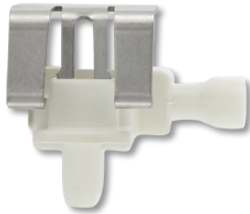




Technology for Light

# Connector for COBs

## 47.318.1100.50



0,25 - 0,5 mm<sup>2</sup>



0,5 mm<sup>2</sup>



1,3 +/- 0,1 mm



Technology for Light

## Connector for COBs 47.318.1100.50

---

### DESCRIPTION

For easy fixing of COB's - No tools required!  
Panel thickness: 1.3 ±0.1 mm surface coating included  
Strip length: 8+1 mm  
Even mounting pressure on the LED  
Polarity of LED must be observed  
Specifications of LED manufacturer must be observed  
VDE-Reg. Nr. E063

|                          |                             |
|--------------------------|-----------------------------|
| Product name:            | Connector for COBs          |
| Mounting method 1:       | Snap-in pins                |
| Prefixation of COB:      | No                          |
| Material:                | Housing: PBT Contacts: CuSn |
| LED manufacturer:        | Citizen                     |
| LED Typ:                 | CLL104                      |
| Conductor cross-section: | 0.5 mm <sup>2</sup>         |
| Approval:                | cURus                       |
| cULus file no.:          | E-345385                    |
| Suitable for:            | CL-L104 from Citizen        |
| Rating:                  | Rating: 3A / 150 VDC        |
| Weight:                  | 1.2                         |
| Pkg.:                    | 336                         |

### Suitable for the following LED models:

| LED Manufacturer | LED Type | More Information  |
|------------------|----------|---|
| Citizen          | CLL104   | <a href="http://ce.citizen.co.jp">http://ce.citizen.co.jp</a> |

---