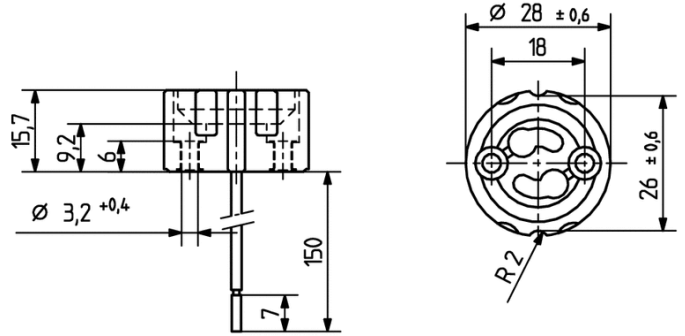




Technology for Light

# Lampholder GU10 25.819.6901.00



250°C

2 A  
250 V



Technology for Light

**Lampholder GU10**  
25.819.6901.00

---

## DESCRIPTION

Other versions on request.

Product name: Lampholder GU10

---

Mounting method 1: Screw mount

---

Material: Housing: Ceramic / Mica plate Contacts: Ni

---

Connection: Rear leads

---

Wires: Cu, tin-plated, 18 AWG, with ferrule, Insulation: PTFE (max. 250° C), Lead length: 150 mm (6")

---

Approval: cULus

---

cULus file no.: E-93328

---

Weight: 16

---

Pkg.: 500

---