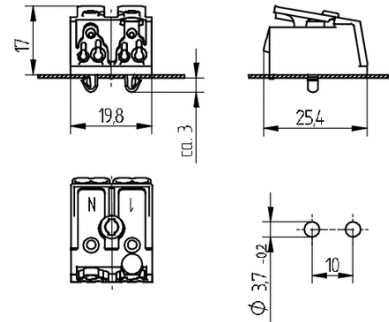




Technology for Light

Terminal block 2 poles 46.412.1110.50



T 85
-40°C



max. \varnothing 1,8 mm



max. \varnothing 1,8 mm



0,5 - 1,0

16 A
450 V





DESCRIPTION

Internal wiring: only for solid conductors and 7 stranded wire ends

Cable diameters:

External: 2 x 0.5 - 2.5 mm²

Internal:

- a) 1 x 0,5 - 1,0 mm², releasable

- b) 1 x 0.5 - 2,5 mm², releasable

- c) Suppression capacitor: 1 x 0.5 - 0.75 mm², not releasable

Further markings on request

Product name:	Terminal block 2 poles
Mounting method 1:	Push through mount
Material:	Housing: PC
Marking:	1 N
Material thickness:	0.5 - 1.0
Contact opening:	With integral cable release
Quantity of poles:	2
Color:	white
Weight:	6
Pkg.:	500