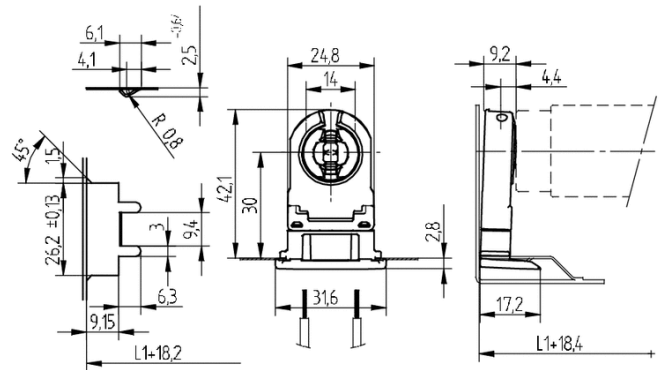




Technology for Light

# Fluorescent lampholder G13 26.311.1230.50



T 130

Tm110

U out  
500 V



18 AWG 0,5 - 1,0  
mm<sup>2</sup>

0,5 - 0,8



Technology for Light

# Fluorescent lampholder G13

## 26.311.1230.50

---

### DESCRIPTION

For cut-outs open at the rear: 9.15 x 26.2 mm  
cULus: File E-92235

Product name:	Fluorescent lampholder G13
Symbol Ausprägung:	0,5 -1,0 mm <sup>2</sup>
Mounting method 1:	Push-in, end mount
Lamp center:	30
Material:	Housing: PC Rotor: PBT
Wiring:	through the body
Approval:	cULus
Material thickness:	0.5 - 0.8
Front Test:	yes
Rotor:	with
Top Test:	yes
Color:	white
Weight:	9
Pkg.:	4000