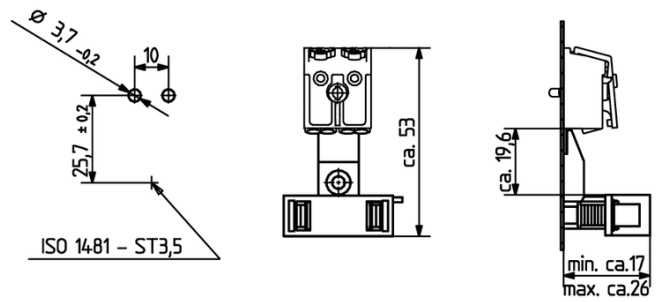
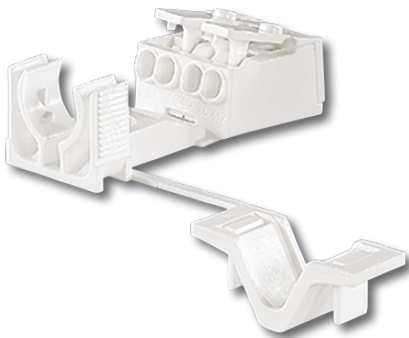
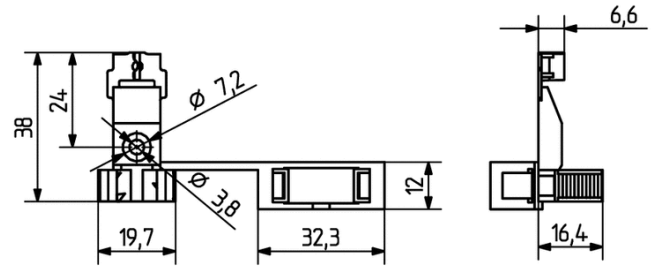
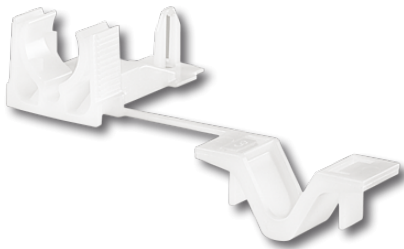




Technology for Light

Cable clamp 46.412.-371.50





DESCRIPTION

Screw mounting: for self-tapping screws
Screw length and screw form must be suitable for the intended application
Suitable for cable with 6 mm - 10 mm dia.
Complies with the requirements of EN 60598 § 5.2.10.1
(maximum total cable cross section 8 mm²)

Product name:	Cable clamp
Short description:	Cable clamp for terminal blocks 46.412
Mounting method 1:	Screw mount
Material:	Material: POM
Cable clamp:	for terminal blocks 46.412
Color:	white
Weight:	3
Pkg.:	500