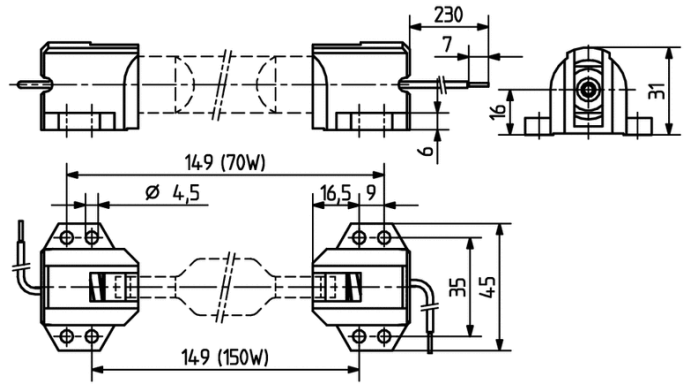
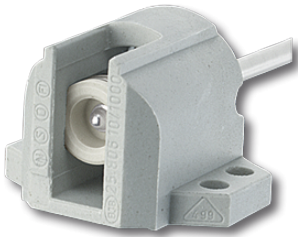




Technology for Light

Lampholder RX7s

25.806.6702.00



200°C

150 W
1000 V





Technology for Light

Lampholder RX7s

25.806.6702.00

DESCRIPTION

To prevent the risk of discharge to earth high temperature oversleeves should be used.
Rating: 150 W / 1000 V / 5 kV pulse rated (200° C for the Housing insert)

Product name:	Lampholder RX7s
Short description:	For Metal Halide Lamps
Mounting method 1:	Screw mount
Material:	Housing: Ceramic
Wires:	18 AWG stranded, UL 250C, 600V, white Accepts max. #4 machine screw, Lead length: 230 mm (9")
Approval:	cULus
Single- / twin lampholder:	Single lampholder
Weight:	50
Pkg.:	36