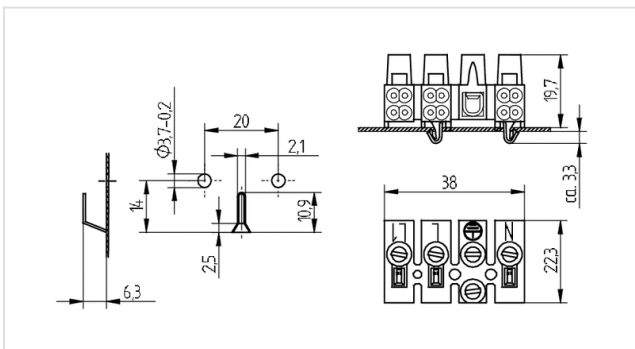




Technik für Licht
Komponenten · Optik · Automation

48.511.0411

Terminal blocks and Connectors
Screw / push-wire terminals 4 pole



Part no.:

48.511.0411.51

16 A
450 V



T 85



Description

- - Screw / pushwire terminals
-
- - Screw / screw terminal (for earth)
-
- - Nominal cross section: 1.5 mm²
-
- - Pushwire terminals: 0.5 - 1.5 mm²
-
- - Screw terminals will also accept wires with ferrule.

Product name:	Terminal block 4 poles
Mounting method 1:	Push through mount
Material:	Housing: PBT
Marking:	N □ L1 L
Weight:	14
Quantity of poles:	4
Material thickness:	0.6 - 1.0
Screw terminals:	ø 3.4
Pkg.:	500