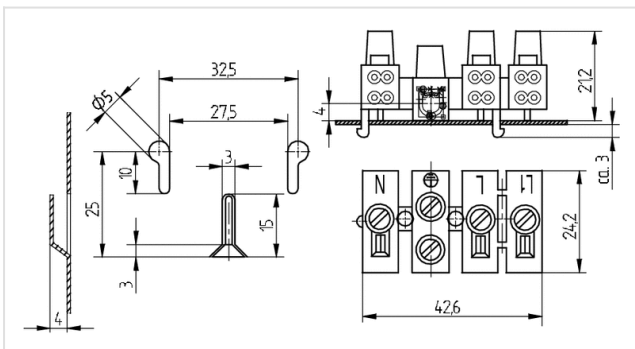




Technik für Licht
Komponenten · Optik · Automation

48.121.0411

Terminal blocks and Connectors
Screw / push-wire terminals 4 pole



Farbe: naturfarben
FC: 51
Part no.: 48.121.0411.51

16 A
450 V



Ø 3,4

T 85



0,8 - 1,0



Description

- - Screw / pushwire terminals
-
- - Screw / screw terminal (for earth)
-
- - Nominal cross section: 1.5 mm²
-
- - Pushwire terminals: 0.5 - 1.5 mm²
-
- - Screw terminals will also accept wires with ferrule.

Product name: Terminal block 4 poles

Color: natural color

Mounting method 1: Push through mount

Material: Housing: PBT

Marking: L1 L □ N

Weight: 14

Quantity of poles: 4

Width: 42 mm

Material thickness: 0,8 - 1,0

Screw terminals: ø 3.4

Pkg.: 500