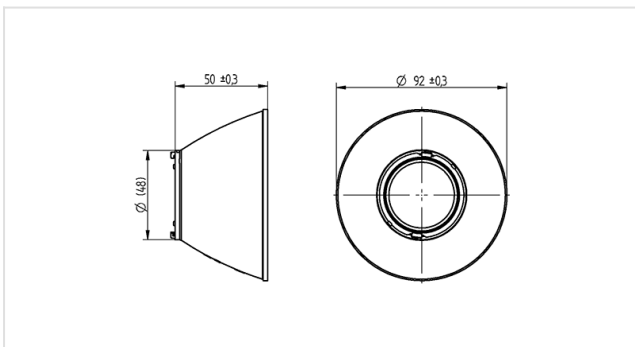




47.950.-304

Connectors for COBs
47.319 - Spotlight Connectors and Accessories



Part no.: 47.950.-304.56

100°C

Description

- Reflector can only be used by screw fixing the spotlight connector with dome headed screws and locking washer
- *Beam angle (FWHM) measured with Citizen CLU38 and connector 47.319.2314.50. Beam angle depends on the COB used.

Short description:	For use with Spotlight connectors 47.319.2xxx and Spot-, Downlight modules 32.120.xxxx
Product name:	Reflector
Material:	Reflector: PC
Beam angle characteristic:	Spot
Beam angle:	13°
Weight:	32
Pkg.:	72