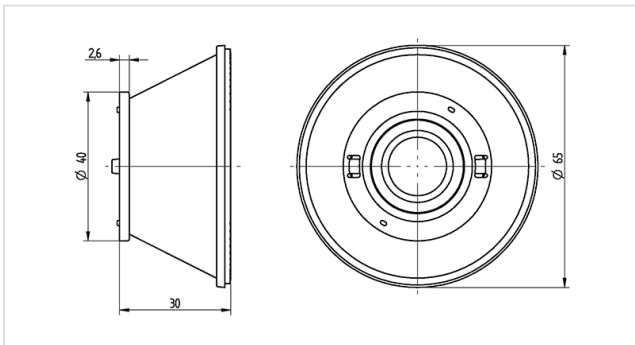
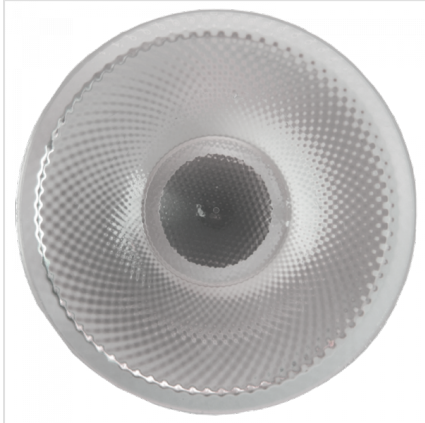




## 47.940.U413

Connectors for COBs  
47.319 - Spotlight Connectors and Accessories



**Part no.:**

47.940.U413.85

### Description

• High quality transparency Clear delineation of the light-dark zones Reduction of stray light through patented technology High temperature load Higher insensitivity to environmental influences than with PC or PMMA \*Beam angle (FWHM) measured with Citizen CLU28 and connector 47.319.6294.1010.50. Beam angle depends on the COB used.

**Short description:**

For use with Spotlight connectors 47.319.6xxx and 47.360

**Internet Address:**

[http://www.lednlight.com/index.php?page=lednlight\\_LED\\_lenses\\_optics\\_collimators&resultat=details&ref=LLC76W7&=tous&fab=#recherche](http://www.lednlight.com/index.php?page=lednlight_LED_lenses_optics_collimators&resultat=details&ref=LLC76W7&=tous&fab=#recherche)

**Product name:**

Silicone collimator for COB connectors

**Beam angle characteristic:**

Flood

**Beam angle:**

37°

**Pkg.:**

1