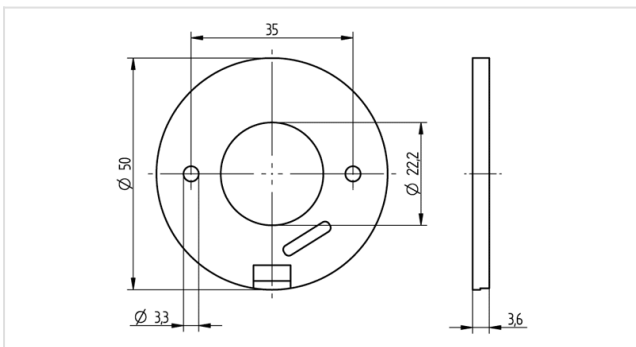




47.919.-301

Connectors for COBs
47.319 - Spotlight Connectors and Accessories



Part no.: 47.919.-301.50

LED-LINE

Description

- Screw mounting: for screws M3 and locking washer
- Max. torque for screw fixing 0.5 Nm*
- Strip length: 7-1 mm
- Polarity of LED must be observed
- Specifications of LED manufacturer must be observed
- cURus: For limited applications
- VDE-Reg. No. E289
- *Please note the max torque of the COB manufacturer

Product name:	Adaptor for COBs
LED type:	Vero 18
Mounting method 1:	Screw mount
Material:	Housing: PBT
Weight:	5
Approval:	cURus
Pkg.:	500