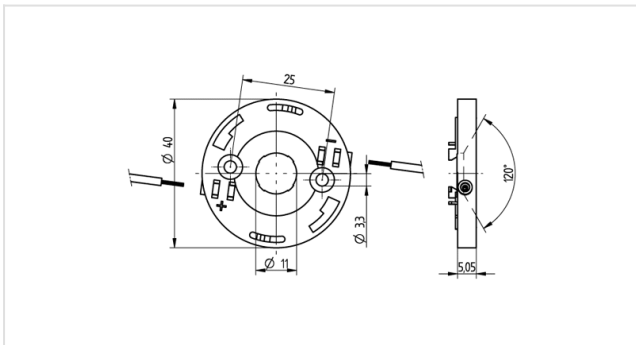




Technik für Licht  
Komponenten · Optik · Automation

# 47.319.6105

Connectors for COBs  
47.319 - Spotlight Connectors and Accessories



Part no.:

47.319.6105.50



0,75 mm<sup>2</sup>



T 130



0,75 mm<sup>2</sup>

## Description

- With integrated reflector interface
- Screw mounting: for screws M3 and locking washer
- Max. torque for screw fixing 0.5 Nm\*
- Strip length: 7-1 mm
- Polarity of LED must be observed
- Specifications of LED manufacturer must be observed
- cURus: For limited applications
- VDE-Reg. No. E289
- \*Please note the max torque of the COB manufacturer

**Product name:** Spotlight connector Ø 40 mm for COB LEDs with LED array 15.85 x 15.85 mm

**LED type:** CXA/CXB 15xx, H9

**Mounting method 1:** Screw mount

**Mounting method 2:** P2F-Befestigung mit 28.902.-102

**Material:** Housing: PBT Contacts: CuSn

**cULus file no.:** E-345385

**Weight:** 5

**Approval:** cURus

**Rating:** 3A / 150 VDC

**Pkg.:** 420