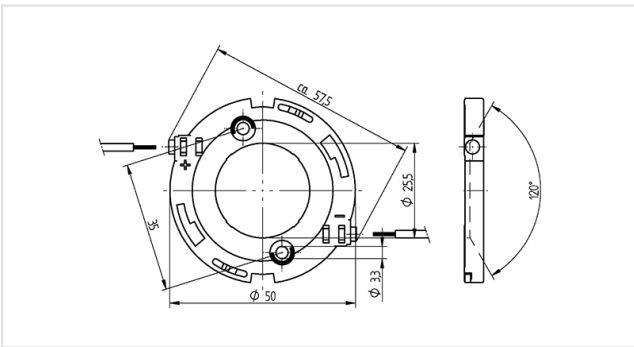
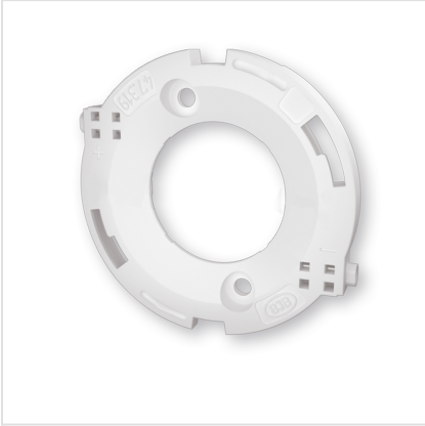




Technik für Licht
Komponenten · Optik · Automation

47.319.2033

Connectors for COBs
47.319 - Spotlight Connectors and Accessories



Part no.:

47.319.2033.50



0,75 mm²

LED-O-LINE

T 130



0,75 mm²

Description

- With integrated reflector interface
- Screw mounting: for screws M3 and locking washer
- Max. torque for screw fixing 0.5 Nm*
- Strip length: 7-1 mm
- Polarity of LED must be observed
- Specifications of LED manufacturer must be observed
- cURus: For limited applications
- VDE-Reg. No. E289
- *Please note the max torque of the COB manufacturer

Product name:	Spotlight connector Ø 50 mm for COB LEDs with LED array 28 x 28 mm
LED type:	37W L-COB G2, CHM-14, CL-L040/042, CL-U044/U046/U048, CL-U730 / CL-U731, CLM-22 / CXM-22, COB-Q series, G7, GME2821, LC040D / 60D / 80D, LEMWM28-40W, Opto 40W, PACG 110, PB20H01, PB20U02, PB30U03, PB38H01, PB40H02, PB40U03, SAW x2296A, SP22N-4090, V22, ZC25/40/60
Mounting method 1:	Screw mount
Mounting method 2:	P2F-Befestigung mit 28.902.-102
Material:	Housing: PBT Contacts: CuSn
cULus file no.:	E-345385
Weight:	5
Approval:	cURus
Rating:	Rating: 3A / 150 VDC
Pkg.:	504