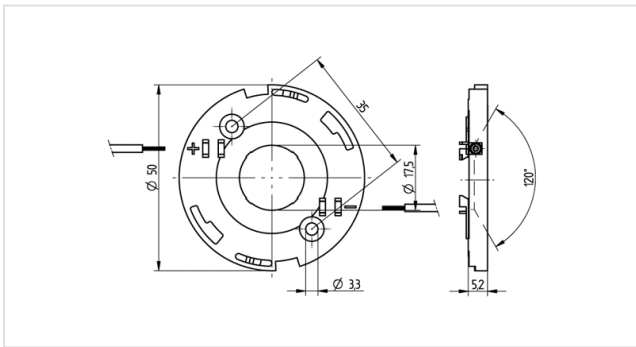




Technik für Licht  
Komponenten · Optik · Automation

# 47.319.2025

Connectors for COBs  
47.319 - Spotlight Connectors and Accessories



Part no.:

47.319.2025.50



0,5 mm<sup>2</sup>

LED-O-LINE

T 130



0,25 - 0,5 mm<sup>2</sup>

## Description

- With integrated reflector interface
- Screw mounting: for screws M3 and locking washer
- Max. torque for screw fixing 0.5 Nm\*
- Strip length: 7-1 mm
- Polarity of LED must be observed
- Specifications of LED manufacturer must be observed
- cURus: For limited applications
- VDE-Reg. No. E289
- \*Please note the max torque of the COB manufacturer

<b>Product name:</b>	Spotlight connector Ø 50 mm for COB LEDs with LED array 19 x 19 mm
<b>LED type:</b>	15W L-COB G2, CHM-9 / CHM-11, CIM-14 / CLM-14 / CXM-14, CL-L030/032/091, CL-U034/U036/U038/U720/U721, COB-N series, CVM-14, DMC 114/118/125/128, G17, LC016D / 19D / 26D / 33D, LES 14.5 (19 x 19 x 0.9 mm), LP30N3-84N-B131299, M045, Opto 30W, PACB 032/PACF 57, PB16H01, PB19H01, PB26H01, SAWS1564A / 1566A, SLE G6 LES 17, SLE G6/G7 LES 15, Soleriq S13 - 19x19 mm, Soleriq S15, V13 - Gen. 7, Xuan1919, ZC12/18
<b>Mounting method 1:</b>	Screw mount
<b>Mounting method 2:</b>	P2F-Befestigung mit 28.902.-102
<b>Material:</b>	Housing: PBT Contacts: CuSn
<b>cULus file no.:</b>	E-345385
<b>Weight:</b>	5
<b>Approval:</b>	cURus
<b>Rating:</b>	Rating: 3A / 150 VDC
<b>Pkg.:</b>	420