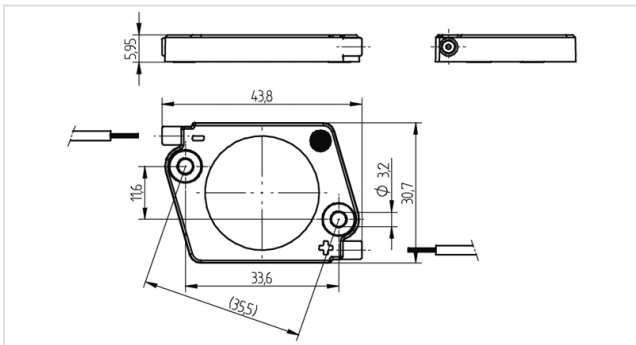




Technik für Licht
Komponenten · Optik · Automation

47.315.4005

Connectors for COBs
47.315, 47.316 and 47.318 - Connectors



FC: 50
Part no.: 47.315.4005.50



0,5 mm²

LED-O-LINE

T 110



0,25 - 0,5 mm²

Description

- Screw mounting: for screws M3 and locking washer
- Max. torque for screw fixing 0.5 Nm*
- Strip length: 6+1 mm
- Polarity of LED must be observed
- Specifications of LED manufacturer must be observed
- VDE-Reg. No. D971
- *Please note the max torque of the COB manufacturer

Product name:	Connector for COBs
LED type:	CL-L040/042
Mounting method 1:	Screw mount
Material:	Housing: PBT Contacts: CuSn
cULus file no.:	E-345385
Weight:	3
Approval:	cURus
Rating:	3A / 150 VDC
Pkg.:	224