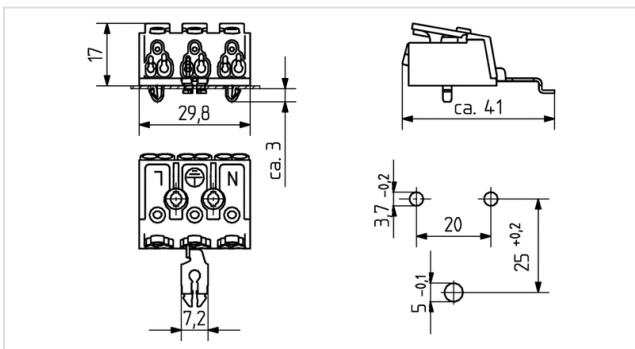




Technik für Licht  
Komponenten · Optik · Automation

# 46.413.1125

Terminal blocks and Connectors  
Pushwire terminals 3 pole



**Farbe:** weiß  
**FC:** 50  
**Part no.:** 46.413.1125.50

16 A  
450 V



max.  $\varnothing$  1,8 mm



T 85  
-40°C



max.  $\varnothing$  1,8 mm



0,5 - 1,0



## Description

- - Internal wiring: only for solid conductors and 7 stranded wire ends
- 
- 

<b>Product name:</b>	Terminal block 3 poles
<b>Color:</b>	white
<b>Mounting method 1:</b>	Push through mount
<b>Material:</b>	Housing: PC
<b>Marking:</b>	N □ L
<b>Weight:</b>	8
<b>Quantity of poles:</b>	3
<b>Earth contact:</b>	Earth bracket
<b>Contact opening:</b>	With integral cable release
<b>Material thickness:</b>	0.5 - 1.0
<b>Pkg.:</b>	500