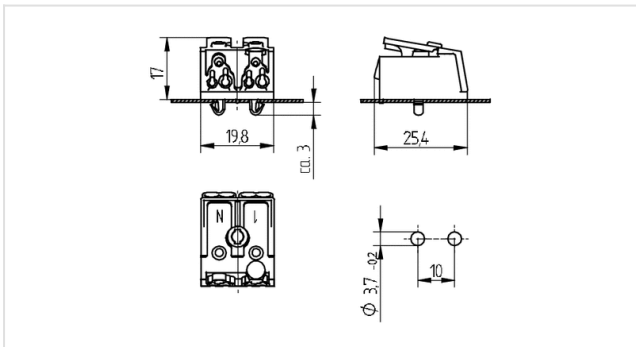




Technik für Licht  
Komponenten · Optik · Automation

# 46.412.1110

Terminal blocks and Connectors  
Pushwire terminals 2 pole



**Color:** weiß  
**FC:** 50  
**Part no.:** 46.412.1110.50

16 A  
450 V



max. ø 1,8 mm



T 85  
-40°C



max. ø 1,8 mm



0,5 - 1,0



## Description

- - Internal wiring: only for solid conductors and 7 stranded wire ends
- 
- 

<b>Product name:</b>	Terminal block 2 poles
<b>Color:</b>	white
<b>Mounting method 1:</b>	Push through mount
<b>Material:</b>	Housing: PC
<b>Marking:</b>	1N
<b>Weight:</b>	6
<b>Quantity of poles:</b>	2
<b>Contact opening:</b>	With integral cable release
<b>Material thickness:</b>	0.5 - 1.0
<b>Pkg.:</b>	500