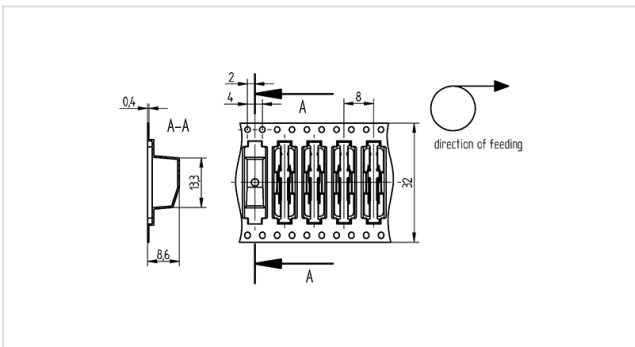
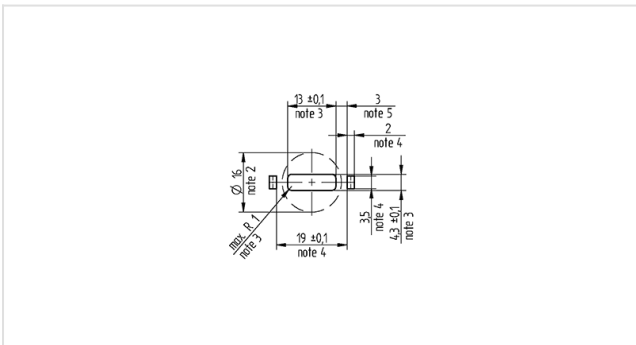
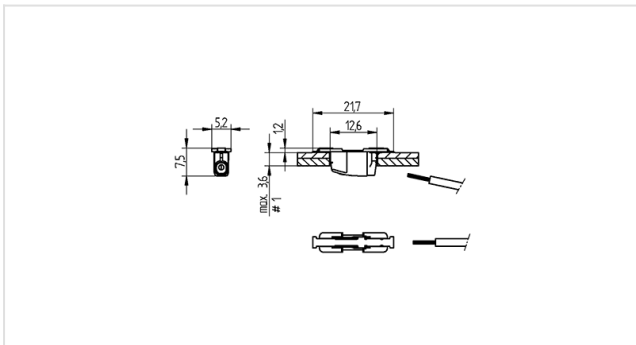




Technik für Licht
Komponenten · Optik · Automation

46.121.1002

SMD Terminal blocks
SMD Terminal Blocks for rear side wiring



Part no.:

46.121.1002.50



8.0 + 1 mm



0,20-0,75 mm²



0,20-0,75 mm²



Description

- No tools required! Wires can be released by twisting and pulling the wire simultaneously.
- Terminal block and ballast on same working level
- Suitable for metal core PCBs
- Note 1: Maximum thickness of PCB and heatsink should not exceed 3.6 mm
- Note 2: Recommendation for opening in heatsink is shown with minimum diameter. For other shaped pockets in heatsink the minimum creepage and clearance distances and manufacturing tolerances have to be considered.
- Note 3: Recommended dimension for opening in PCB
- Note 4: Recommended dimension for solder mask
- Note 5: The minimum creepage distance has to be guaranteed, depends on the application.
- Note 6: Recommended pick & place area #1
- Note 7: Recommended pick & place area #2 inside of the connector. Max. diameter of nozzle is 2.5 mm.
- Note 8: Distance from center of mass to pick and place area #1 and #2
- General note: It is recommended to make an electrical connection between both poles of each polarity on the solder mask
- Other packaging units on request

Symbol Abisolierlänge:	8.0 + 1 mm
Product name:	SMD Push through terminal block - 1 pole
Mounting method 1:	Solder fixing
Material:	Housing: PPA Contacts: Cu alloy
cULus file no.:	E-365006
cUR Rating:	9A / 320V
ENEC Rating:	9A / 320V
[URus Rating]:	9A / 600V (UL 1977), 24 - 18 AWG
Weight:	0,5
Quantity of poles:	1
Approval:	cURus
Wiring:	from below the PCB
Pkg.:	14000