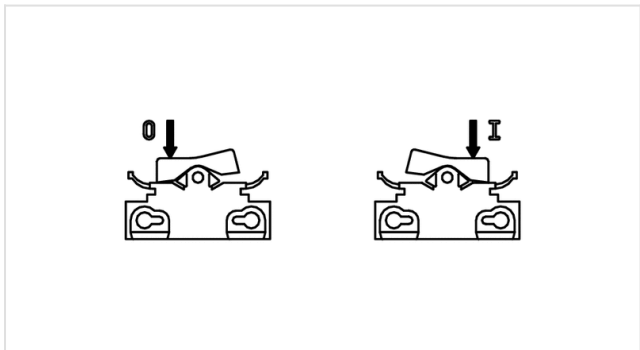
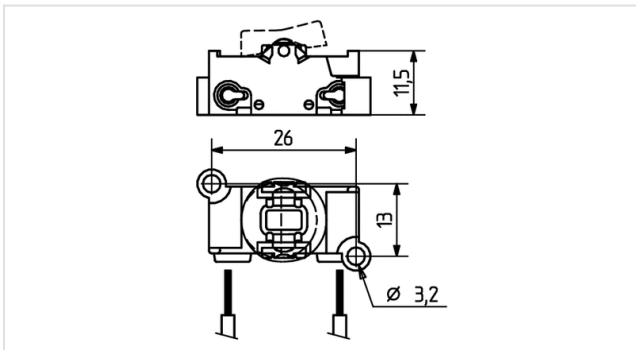




Technik für Licht  
Komponenten · Optik · Automation

## 43.409.U615

Rocker switches  
Single Pole Screw mounting



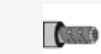
**Color:** weiß  
**FC:** 50  
**Part no.:** 43.409.U615.50



18 AWG



3 AL  
-125 V



max.  $\varnothing$  1,8 mm

75°C



18AWG



0,5 - 1,0

## Description

- UL Recognized Component: approved only with round and square rockers.
- Protected against electric shock after insertion of conductor. Additional cover not required.
- Stripping of wires: 7 mm
- Housings and rockers can be supplied assembled upon request.

<b>Product name:</b>	Switch
<b>Color:</b>	white
<b>Mounting method 1:</b>	Screw mount
<b>Material:</b>	Contacts: silver / silver
<b>Weight:</b>	3
<b>Approval:</b>	cURus
<b>Material thickness:</b>	0.5 - 1.0
<b>Switch - Components:</b>	Housing
<b>Pkg.:</b>	1000