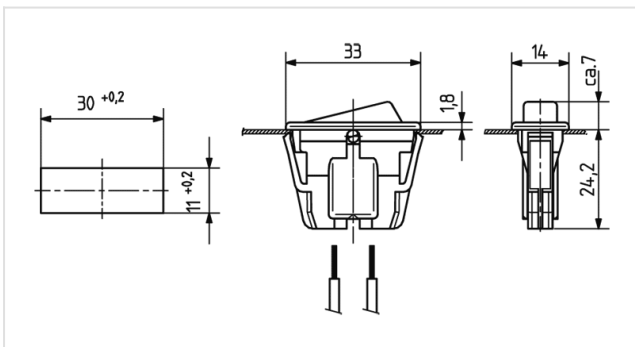




43.405.1130

Rocker switches
1 pole Snap in mounting



Farbe: schwarz
FC: 80
Part no.: 43.405.1130.80



Description

- Cut-out 11 x 30 mm
- Protected against electric shock after insertion of conductor. Additional cover not required.

Product name:	Rocker Switch
Color:	black
Mounting method 1:	Push through mount
Material:	Housing: PC
Weight:	6
Pkg.:	500