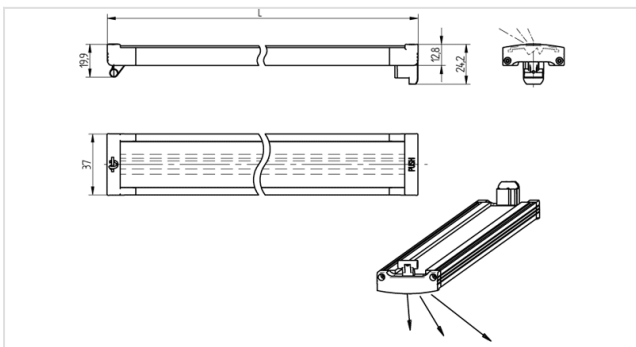




Technik für Licht
Komponenten · Optik · Automation

32.130.4006

Licht-Komponenten
Urban Farming



Part no.:

32.130.4006.00



60VDC
SELV



Description

- Quick and easy installation even in very narrow luminaires (slot light channels)
- Audible and tactile feedback during mounting process „Click-Fit“
- Straight and pure design, genuine high grade materials
- Tight colour tolerance: McAdams 3.5 SDCM
- Beam angle: 105°
- Life span L70 > 50.000 h
- Ambient temperature: -30 °C bis + 45 °C
- Module efficiency and Luminous flux measured at Tc = 25 °C
- TC: max. 65° C
- Risk group: 0
- Protection class: IP20
- Guarantee*: 5 years
- RoHS
-

Modulleistung bis zu:	3200 lm/m
Symbol Leuchte/Modul ausgestattet mit LED:	LED
Product name:	Linear Flat - flat LED module - Single asymmetrical right hand 20°
Key feature 1:	Exchangeable LED-lamp - No additional tools required
Key feature 2:	New - 2nd Generation
Length:	565 mm
Width:	37 mm
Height (build in):	15 mm
Weight:	260
Energie efficiency class:	A+
CRI:	>80
Color temperature:	4000 K
Power consumption (W) at Tc 25° C:	13.37 W
Power consumption (W) at Tc 50° C:	13.16 W
Flux at Tc 25° C:	1890 lm
Operational voltage Uf at Tc 25° C:	38.2 V
Flux at Tc 50° C:	1810 lm
Operational voltage Uf at Tc 50° C:	37.6 V
Operational current (If):	350 mA
Light Distribution:	Single asymmetrical (20° right)
Module efficiency at Tc 25° C:	143 lm/W
Module efficiency at Tc 50° C:	138 lm/W
Socket:	GR6d-1
Pkg.:	20
Information RoHS / REACH:	This product contains the following REACH SVHC substances: Lead in electrical / electronic components on the PCB board For more information, please refer to: https://www.bjb.com/en/Information-RoHS/REACH