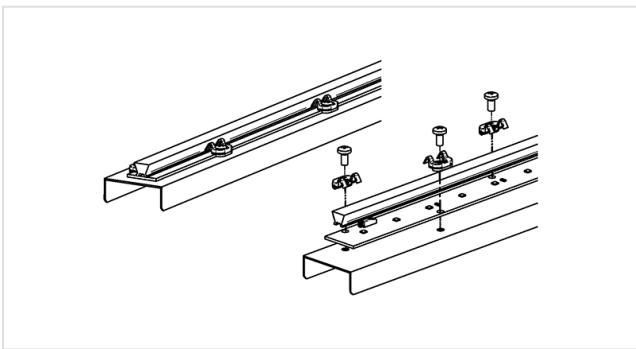
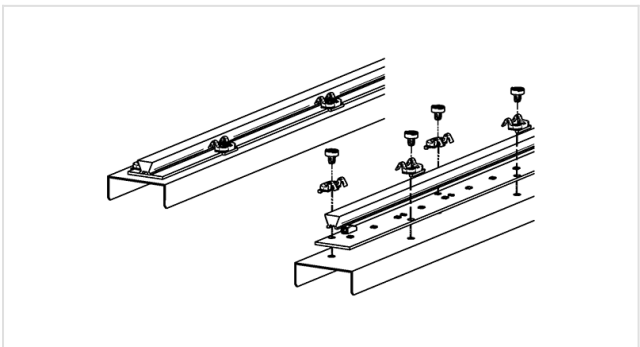
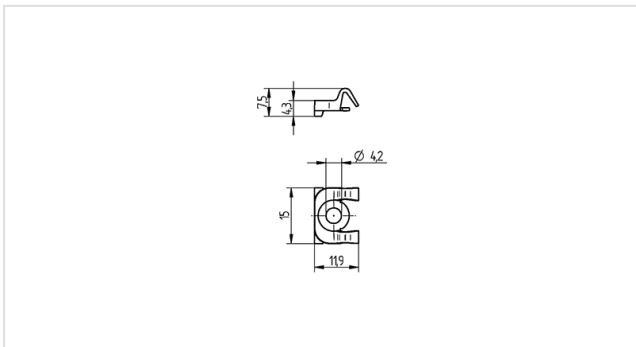




Technik für Licht
Komponenten · Optik · Automation

31.930.-345

Optics
20 / 24 mm LED-System



Color:
Part no.:

weiß
31.930.-345.50

Description

- For linear optics 31.930.-44x and 35.301.10XX
- Easy and quick assembly with standardised P2F (Push to Fix) 28.901 or standard screws M4 according ISO 4762, DIN 7984 or ISO 7380
- For a PCB thickness of 1.6 mm
- Easy, fast and secure optics mounting by clip in fixing from above
- Universal application - no defined hole spacing
- Integration of thr optics without disturbing the light image

Product name:	Optic holder for 24 mm LED boards
Color:	white
Mounting method 1:	Snap in fixing with P2F or screw fixing with standard screws M4
Material:	PC
Weight:	2
Pkg.:	1