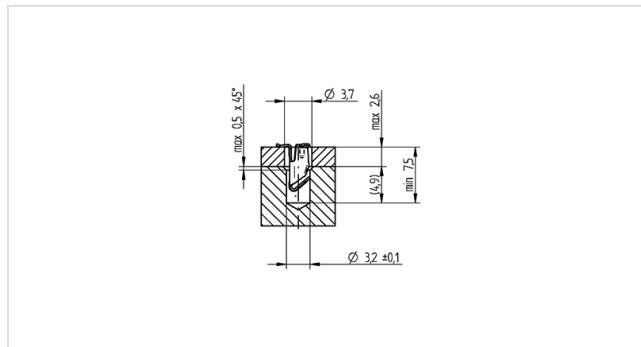
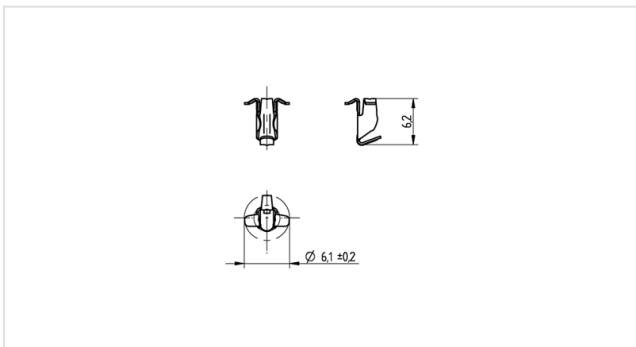
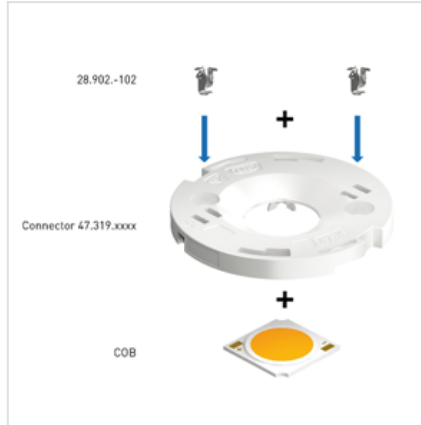




## 28.902.-102

Push2Fix (P2F) - Fixing Elements  
P2F (Push-to-Fix) - For fixation of COB Connectors on heat sinks



**Part no.:** 28.902.-102.10

### Description

- Easy, quick and secure assembly
- No shadowing of the LED, lowest possible design above the LED module while fulfilling attachment and contact pressure functions
- Coordinated system guarantees permanent contact pressure for the module by means of very strong but elastic metal spring
- After installation a permanent contact force of 20N is guaranteed
- Form-fitting snap-in connection
- Shock and vibration resistant
- Floating connection compensates tolerances and thermal length variations
- Maximum clamping thickness .6 mm

**Product name:** P2F - Push to Fix - Fixing element for COBs on heat sinks

**Mounting method 1:** Push in fixing in blind holes

**Material:** CrNi

**Weight:** 1

**Pkg.:** 1