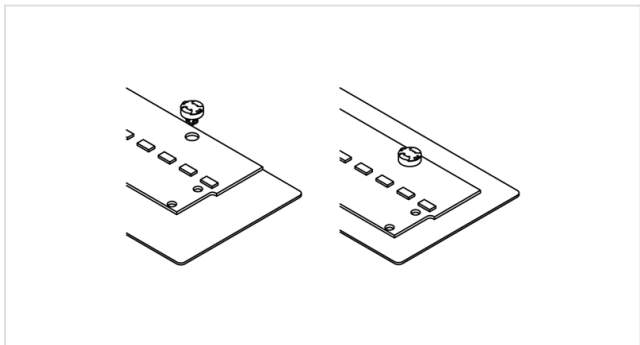
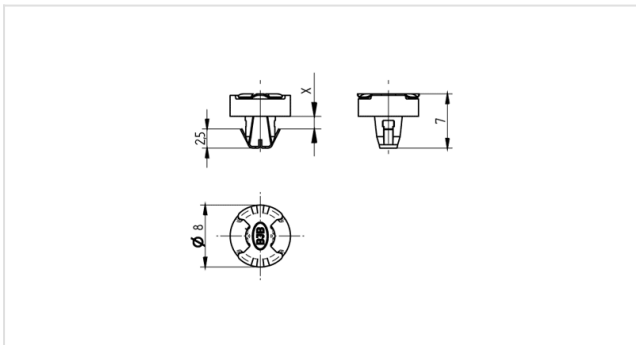




Technik für Licht  
Komponenten · Optik · Automation

## 28.901.U163

Push2Fix (P2F) - Fixing Elements  
P2F (Push-to-Fix) - Fixing elements for PCBs



**Color:** transparent gelb  
**Part no.:** 28.901.U163.10

-40°C  
80°C



## Description

- Quick assembly process improves production efficiency and reduces production costs
- Push-in fixing: for hole pattern in light fitting  $\varnothing 4.2 \pm 0.1$  mm and  $\varnothing 4.3-4.8$  mm in PCBs
- Reliable heat dissipation by permanent, constant contact pressure with a minimum pressure force of 5 N
- CrNi and silicone materials ensure long life reliability
- Suitable for Zhaga certified LED modules
- BJB recommends to use modules with  $\varnothing 4.3-4.8$  mm fixing hole diameter
- Due to manufacturing tolerances and tolerances required for thermal expansion, we recommend choosing the largest possible hole diameter
- Eliminates potential damage from screw fixing due to low insertion force
- Assembly without any additional tools possible
- Solutions for Automation upon request
- Removable from front

<b>Product name:</b>	P2F - Push to Fix - Fixing element for PCBs
<b>Total thickness (X):</b>	2.0 - 2.4 mm
<b>Color:</b>	white
<b>Mounting method 1:</b>	Push-in fixing for mounting PCBs
<b>Material:</b>	CrNi with silicon insulating ring
<b>Weight:</b>	2
<b>Pkg.:</b>	5000