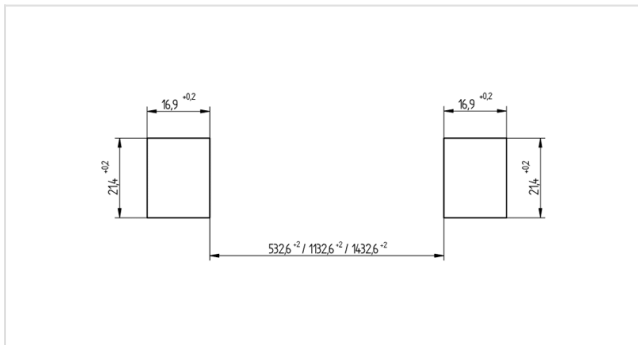
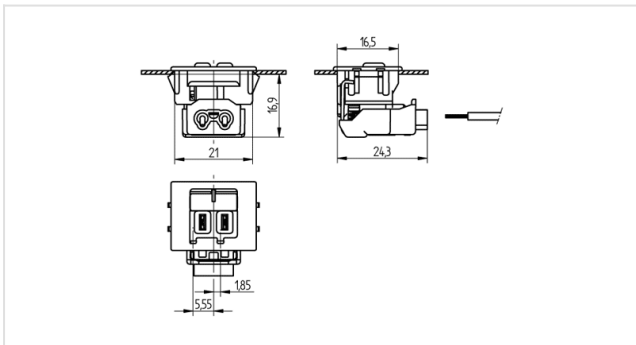




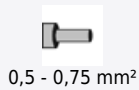
## 28.701.1002

Linear Flat System - Flat and interchangeable LED System  
LFS Lampholder



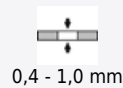
Part no.:

28.701.1002.51



2 A  
250 V

T 80



### Description

- Also suitable for automatic wiring
- Spring connection "Click-Fit"
- VDE-REG.-No. E612

<b>Product name:</b>	Lampholder for Linear Flat
<b>Mounting method 1:</b>	Push through mount
<b>Material:</b>	PC
<b>Weight:</b>	10
<b>Material thickness:</b>	0.4 - 1.0 mm
<b>Rating:</b>	700 mA DC
<b>Socket:</b>	GR6d-3
<b>Pkg.:</b>	100