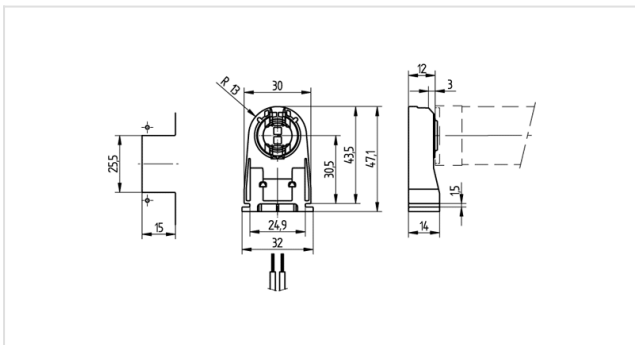




Technik für Licht  
Komponenten · Optik · Automation

# 28.460.1030

Lampholders for LED Modules  
GZ16 Lampholders for tubular LED Light Engines



**Farbe:**

weiß

**Part no.:**

28.460.1030.50



e line

T 110



0,4 - 1,5



0,5 - 1,0 mm<sup>2</sup>

## Description

<b>Product name:</b>	Lampholder for LED Modules GZ16
<b>Color:</b>	white
<b>Mounting method 1:</b>	Push through mount
<b>Material:</b>	Housing: PBT
<b>Weight:</b>	5
<b>Approval:</b>	□□□EL□VDE
<b>Lamp center:</b>	30
<b>Material thickness:</b>	0.4 - 1.5
<b>Wiring:</b>	through the body
<b>Pkg.:</b>	500