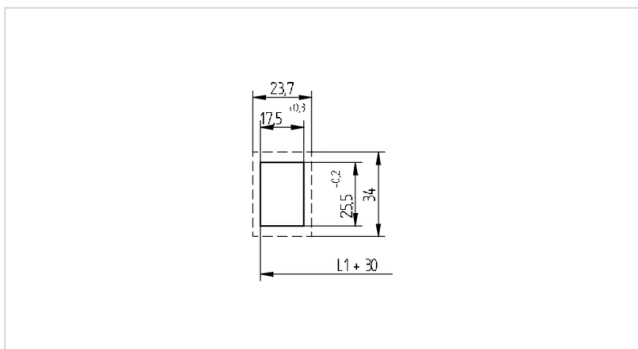
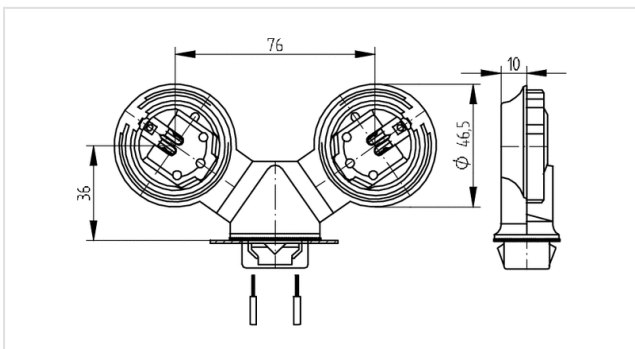




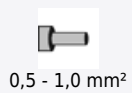
Technik für Licht
Komponenten · Optik · Automation

27.661.U808

Linear Fluorescent Lampholders: Water and Dustproof
G5 Water and Dustproof Lampholders Snap in foot 25.5 x 17.5 mm



Farbe: weiß
FC: 50
Part no.: 27.661.U808.50



IP
65/67

T 140



Description

- Max. permissible temperature at front of face plate (T):140°C
-
- Max. permissible temperature at the rear of the lampholder (Tm): 110° C
-
- Quick and easy wiring achieved by tapered wiring channels
-
- Tensile interior of lampholder provides a lamp length tolerance compensation of 3 mm per pair of lampholders
-
- Rating: 500 V (for operation with electronic ballasts)
-
- Suitable gaskets: 27.230.-728, 27.240.-707

Product name:	Lampholder Water and Dustproof
LED type:	G5 Wasser- und Staabdicht
Color:	white
Mounting method 1:	Snap-in foot 25.5 x 17.5 mm
Material:	Housing: PC Rotor: PBT
Weight:	40
Gasket:	Gasket: without foot gasket
Single- / twin lampholder:	Twin lampholder
Lamp center:	36
Material thickness:	1.4 - 2.0
Protection class according to IEC:	IP 67
T-Marking:	140
Wiring:	through snap in foot
Pkg.:	100