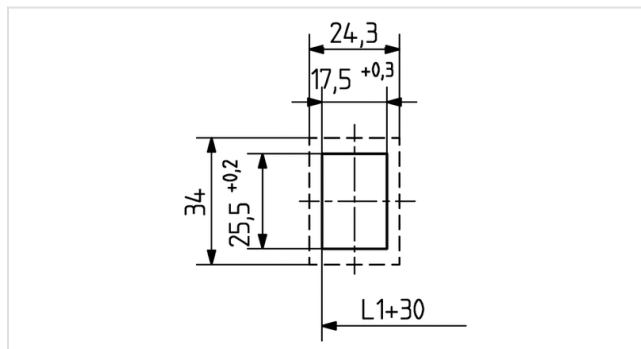
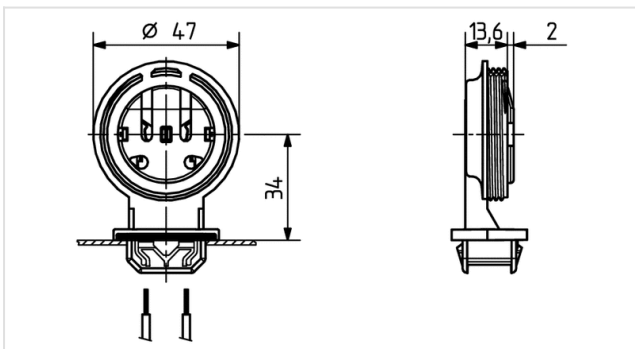




Technik für Licht  
Komponenten · Optik · Automation

## 27.240.U311

Linear Fluorescent Lampholders: Water and Dustproof  
G13 - Twin slot lamp insertion, snap in foot 25.5 x 17.5 mm



**Color:** grau  
**FC:** 81  
**Part no.:** 27.240.U311.81



IP  
65/67

T 140



## Description

<b>Product name:</b>	Lampholder Water and Dustproof
<b>LED type:</b>	G13 Wasser- und Staubdicht
<b>Color:</b>	gray
<b>Mounting method 1:</b>	Snap-in foot 25.5 x 17.5 mm
<b>Material:</b>	Housing: PC Rotor: PBT
<b>Weight:</b>	21
<b>Gasket:</b>	Gasket: without foot gasket
<b>Single- / twin lampholder:</b>	Single lampholder
<b>Approval:</b>	additional PSE JET (1A / 300V)
<b>Lamp center:</b>	34
<b>Material thickness:</b>	0.8 - 2.1
<b>Protection class according to IEC:</b>	IP 65/67
<b>T-Marking:</b>	140
<b>Wiring:</b>	through snap in foot
<b>Pkg.:</b>	100